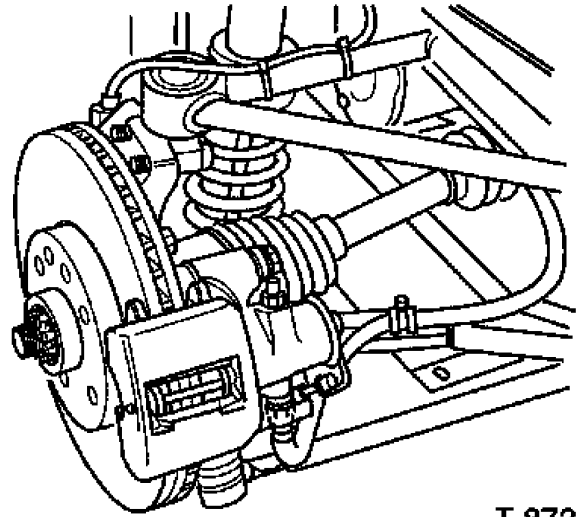


## Rear Wheel Brakes

### General

The rear wheel brakes consist of ventilated disc brakes and floating calipers with one piston each.



T 8733