

## Brake Hose, Rear, Remove and Install

Fill brake fluid reservoir to MAX mark and seal with blind cap.

### Caution !

Seal orifices in brake line, brake hose and brake caliper to prevent ingress of foreign matter.

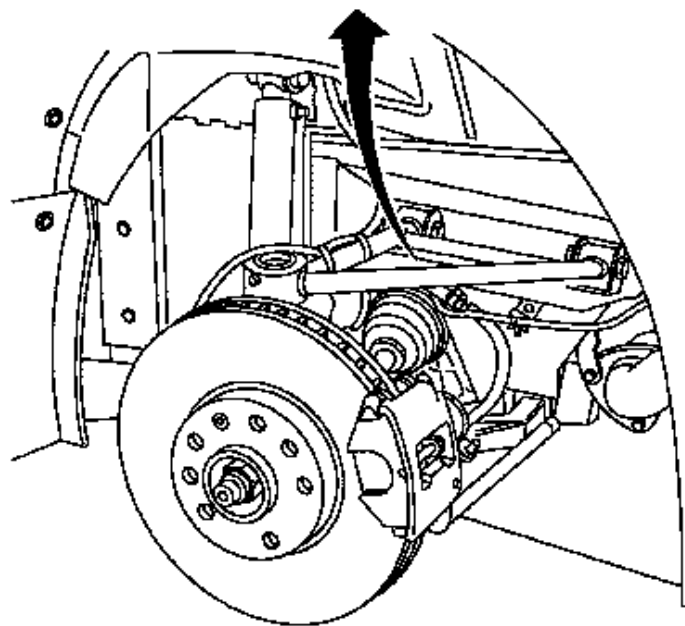
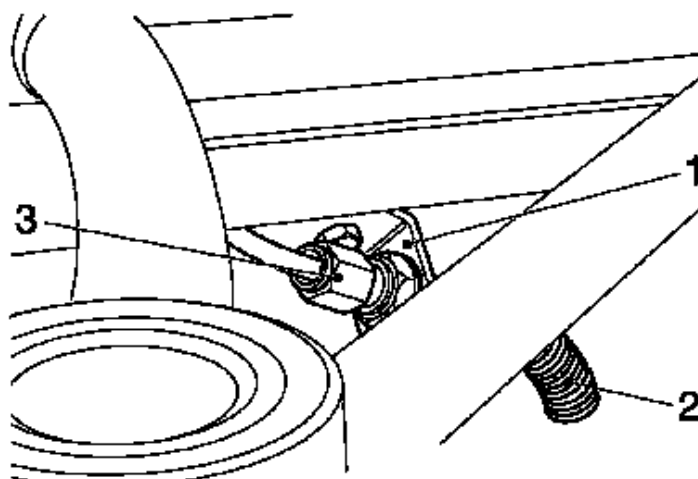


### Remove

Wheel from vehicle – bolts.

Brake line from brake hose (2) – union nut (3).

Brake hose (2) from bracket (1) – nut and washer.



T 8909

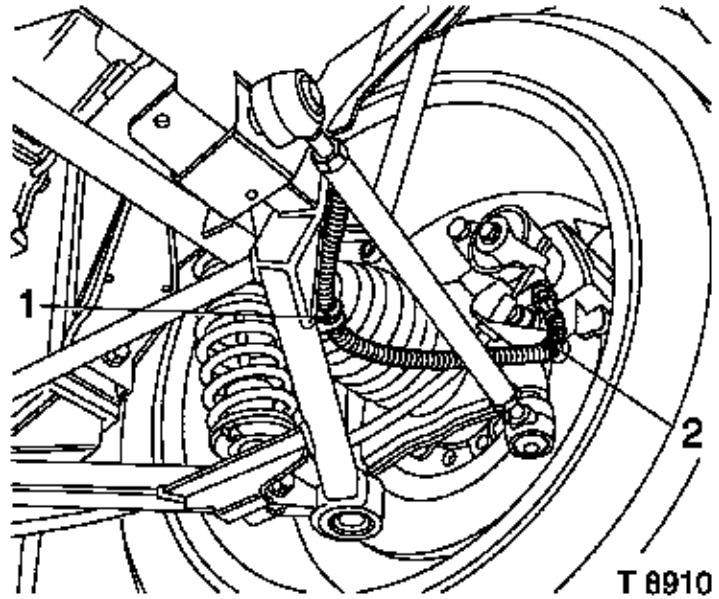
Clip (1) from lower wishbone – nut.

Brake hose (2) from brake caliper.

**Install**

Brake hose (2) to brake caliper.

Clip (1) to lower wishbone – nut.

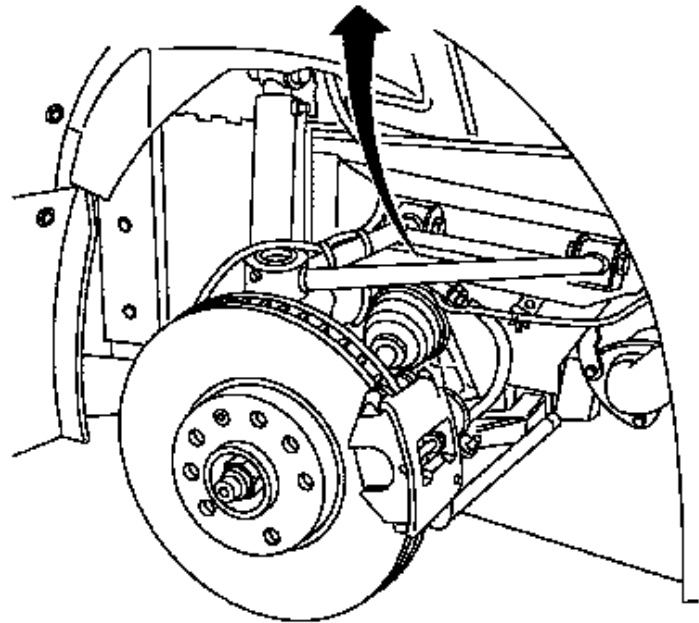
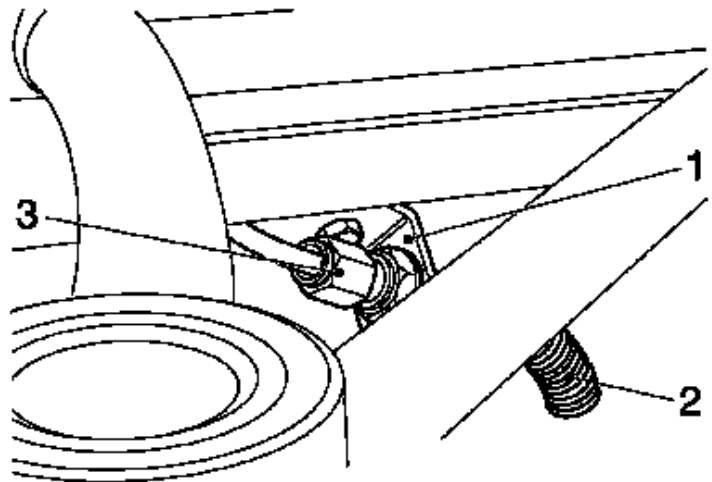


Brake hose (2) to bracket (1) – washer and nut.

Brake line to brake hose (2) – union nut (3).

Bleed brake – see operation "Brake System, Bleed".

Wheel to vehicle – bolts **90 Nm**.



T 8909