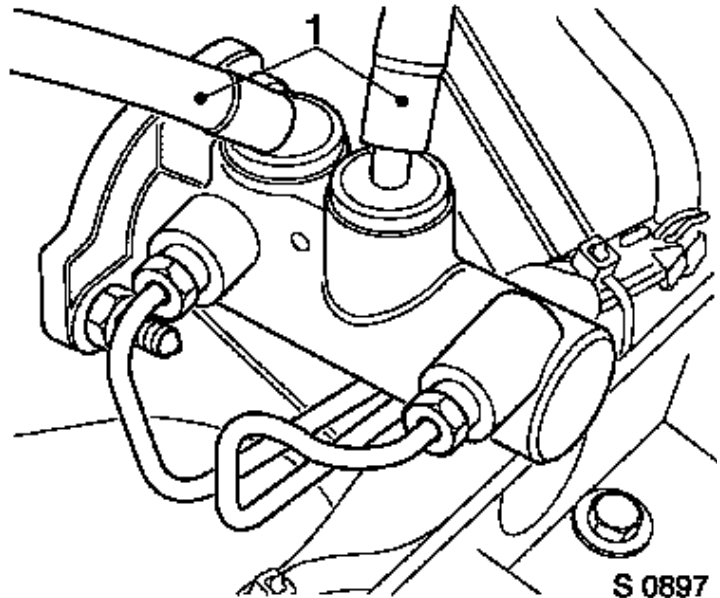


ABS Hydraulic Unit with Control Unit, Replace

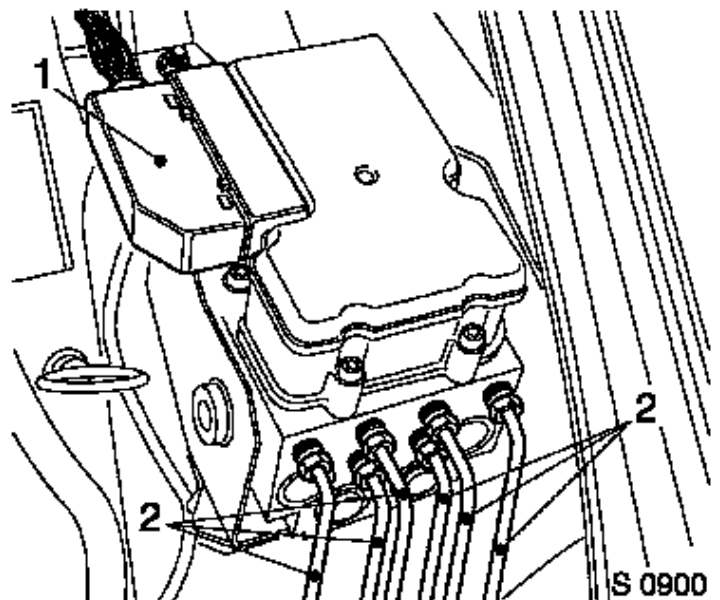


Remove

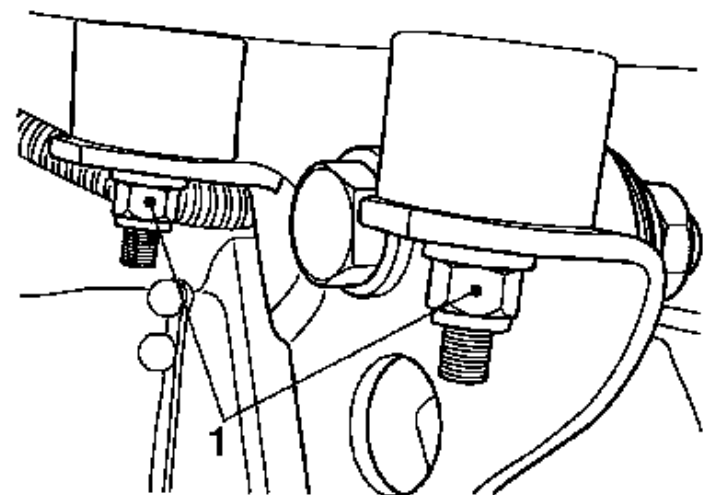
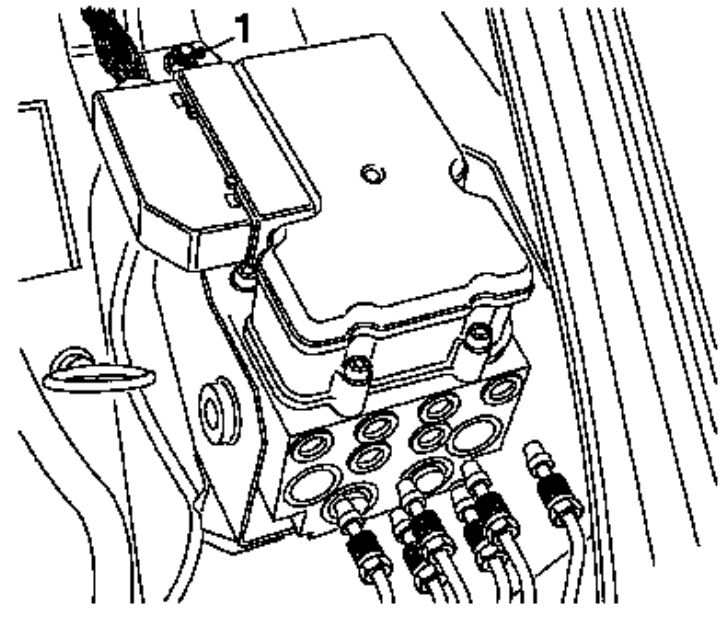
1. Remove front bonnet - see operation "Front Bonnet, Remove and Install" in group A.
2. Install 2x clamp to 2x brake hose (1)



3. Disconnect harness connector (1) from control unit
4. Disconnect 6x brake line (2) from hydraulic unit
 - Release 6x union
 - Collect escaping fluid
 - Install blanking plug to 12x open connection



5. Remove support bracket with hydraulic unit and control unit
 - Remove 3x nut (1)



S 0901

6. Remove support bracket from hydraulic unit and control unit
 - Remove 2x bolt
7. Remove control unit from hydraulic unit
 - Remove 4x screw

**Install**

8. Install new control unit to hydraulic unit
 - Install 4x screw
9. Install support bracket to hydraulic unit and control unit
 - Install 2x bolt

10. Install support bracket with hydraulic unit and control unit
 - Install 3x nut
11. Connect 6x brake line to hydraulic unit
 - Secure 6x union
 - Remove, then discard 12x blanking plug
12. Connect harness connector to control unit
13. Remove 2x clamp from 2x brake hose
14. Bleed brake system - see operation "Brake System, Bleed"
15. Check brake system for leaks - see operation "Brake System, Check for Leaks"
16. Install front bonnet - see operation "Front Bonnet, Remove and Install" in group A.