

Mounting Bracket, Brake Pedal and Clutch Pedal, Replace

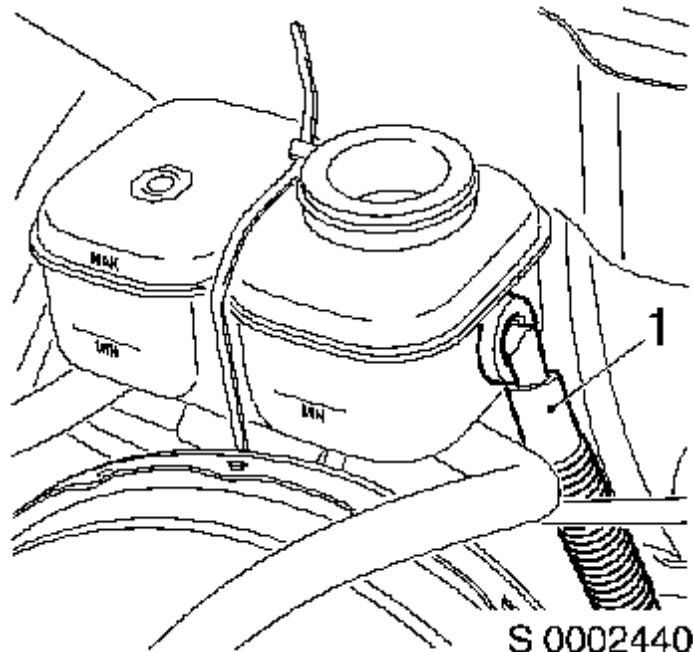


Remove

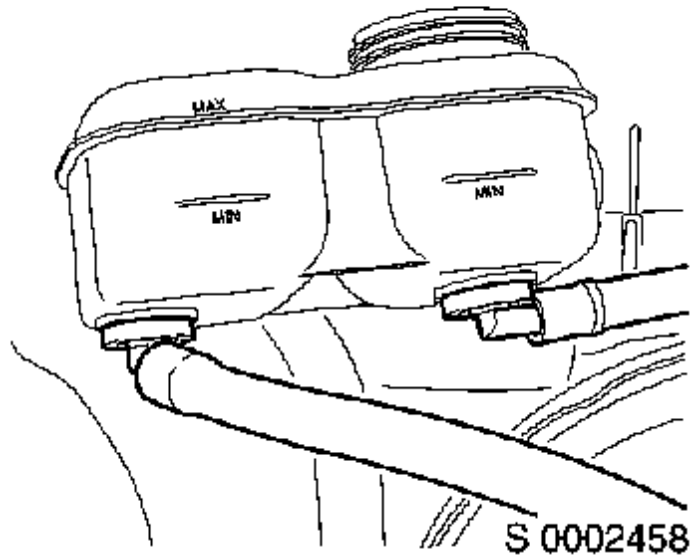
1. Remove hard top or soft top
2. Disconnect battery negative lead
 - Release windscreen wash reservoir, then move to one side
 - Release nut, bolt

Important: Observe relevant environmental regulations when disposing of used brake fluid.

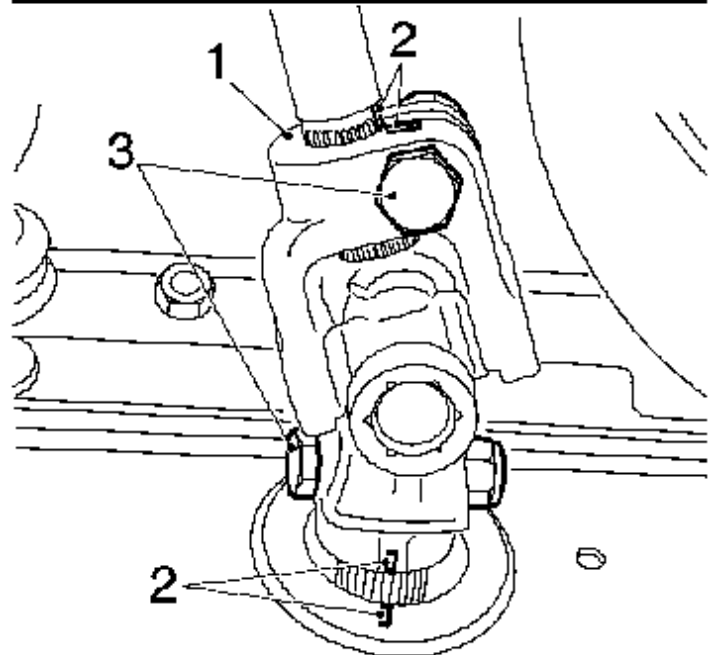
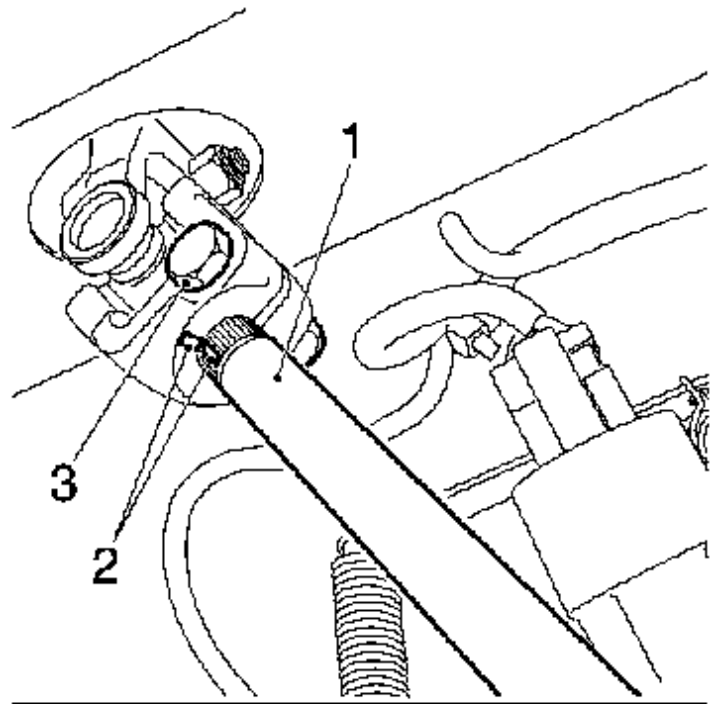
3. Remove brake fluid from reservoir
 - Remove cap with harness from brake fluid reservoir, then move to one side
 - Use syringe to remove brake fluid
4. Release clutch hose (1) from brake fluid reservoir
 - Pull off
 - Install 2x blanking plug
5. Release brake fluid reservoir from support bracket
 - Remove cable tie, then discard



6. Remove brake fluid reservoir
 - Release 2x brake hose from brake fluid reservoir
 - Pull off
 - Install 4x blanking plug

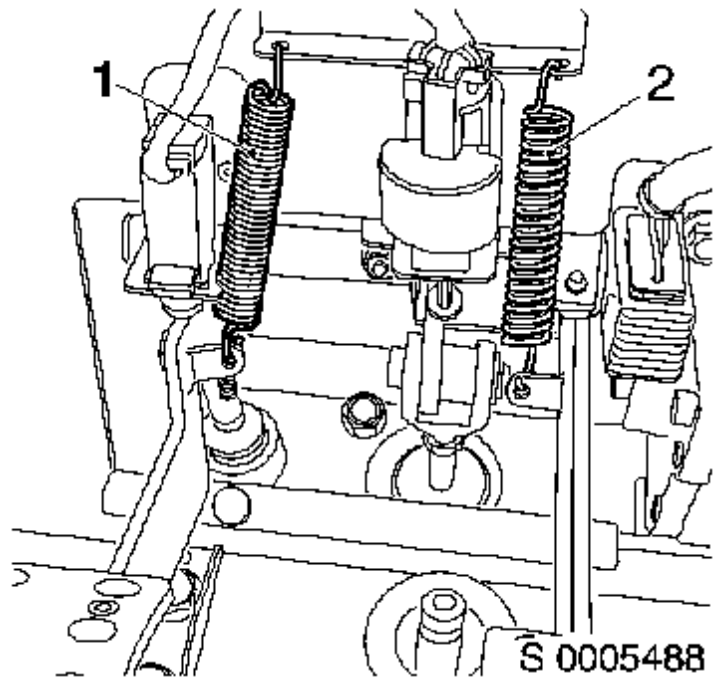


7. Remove steering intermediate shaft with lower universal joint (1) from steering gear and steering column
 - Set steering in straight ahead position
 - Apply match marks (2)
 - Remove 3x bolt, 3x nut (3)
 - Discard 3x nut



S 0005487

8. Remove return spring (1) from clutch pedal
9. Remove return spring (2) from brake pedal

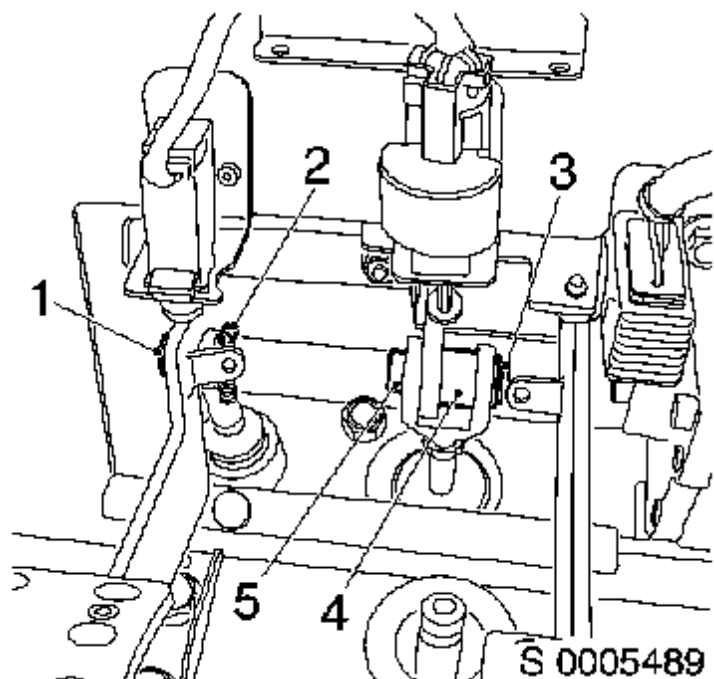


10. Release yoke for clutch master cylinder from clutch pedal

- Remove clip (2)
- Remove clevis pin (1)

11. Release yoke for brake master cylinder from brake pedal

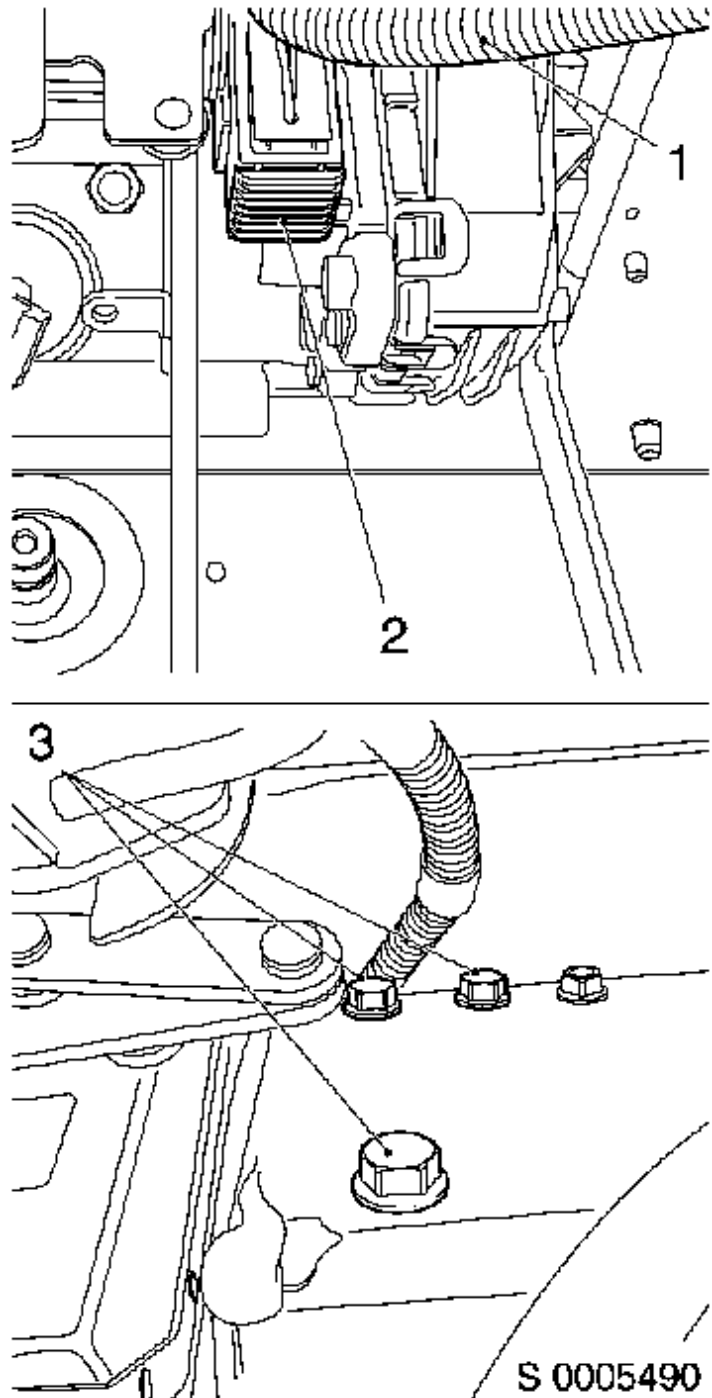
- Remove split pin (3), then discard
- Remove clevis pin (5), spacer (4) and washer



12. Remove accelerator pedal with potentiometer from bulkhead

- Disconnect harness (1) from potentiometer
 - Pull out clip (2)

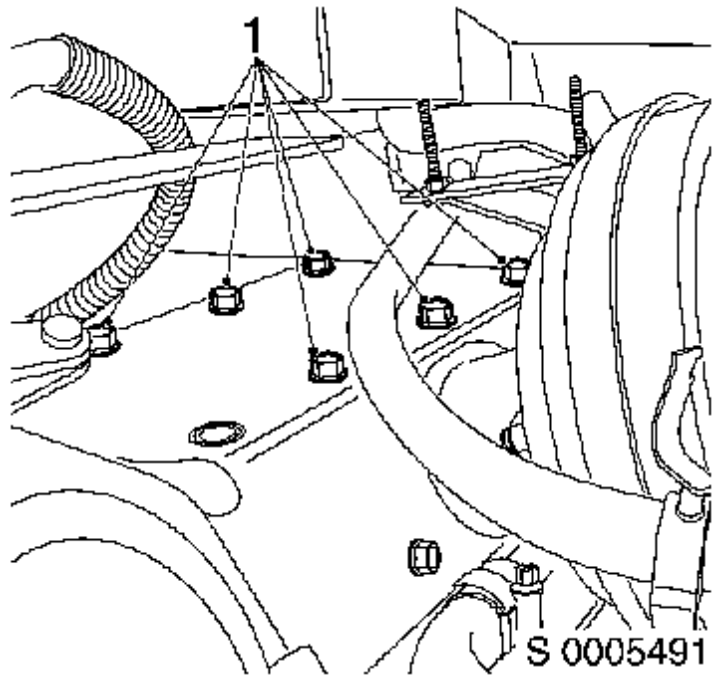
- Remove 3x bolt (3), 3x nut
 - Note:** Second technician required to counterhold nuts from inside vehicle.



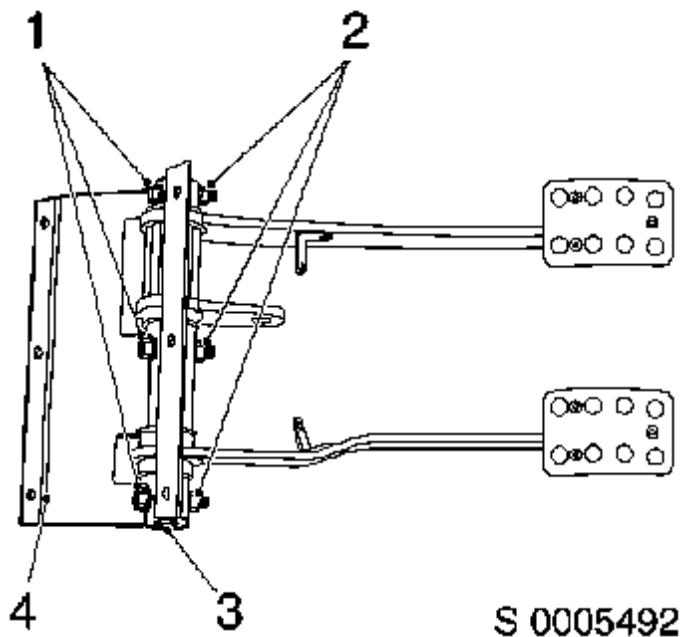
13. Remove mounting bracket with 2x pedal from bulkhead

Note: Second technician required to support mounting bracket from inside vehicle.

- Remove 6x bolt (1)



14. Remove shaft (3) from mounting bracket (4) and 2x pedal
- Remove 3x bolt (1), 3x nut (2)
 - Slide out



Install

15. Install shaft to new mounting bracket and 2x pedal
- Slide in
 - Install 3x bolt, 3x nut
16. Install mounting bracket with 2x pedal to bulkhead
- Note:** Second technician required to support and locate mounting bracket from inside vehicle.
- Install 6x bolt
17. Install accelerator pedal with potentiometer to bulkhead
- Install 3x bolt, 3x nut

Note: Second technician required to counterhold nuts from inside vehicle.

- Connect harness to potentiometer
 - Push in clip
- 18.** Secure yoke for brake master cylinder to brake pedal
 - Install clevis pin, spacer and washer
 - Install split pin
 - Use new split pin
- 19.** Secure yoke for clutch master cylinder to clutch pedal
 - Install clevis pin
 - Install clip
- 20.** Install return spring to brake pedal
- 21.** Install return spring to clutch pedal
- 22.** Install steering intermediate shaft with lower universal joint to steering gear and steering column
 - Check steering is in straight ahead position
 - Align match marks
 - Install 3x bolt, 3x nut **35 Nm**
 - Use 3x new nut
- 23.** Install brake fluid reservoir
 - Install new cable tie to support bracket
 - Secure 2x brake hose to brake fluid reservoir
 - Remove 4x blanking plug
 - Push on
- 24.** Secure brake fluid reservoir to support bracket
 - Secure cable tie
- 25.** Secure clutch hose to brake fluid reservoir
 - Remove 2x blanking plug
 - Push on
- 26.** Check and top up brake fluid as required
 - Install cap with harness to brake fluid reservoir
- 27.** Check operation of clutch pedal and brake pedal
- 28.** Connect battery negative lead
 - Secure nut, bolt
- 29.** Install windscreen wash reservoir
 - Push fit
- 30.** Program all volatile memories
- 31.** Install hard top or soft top