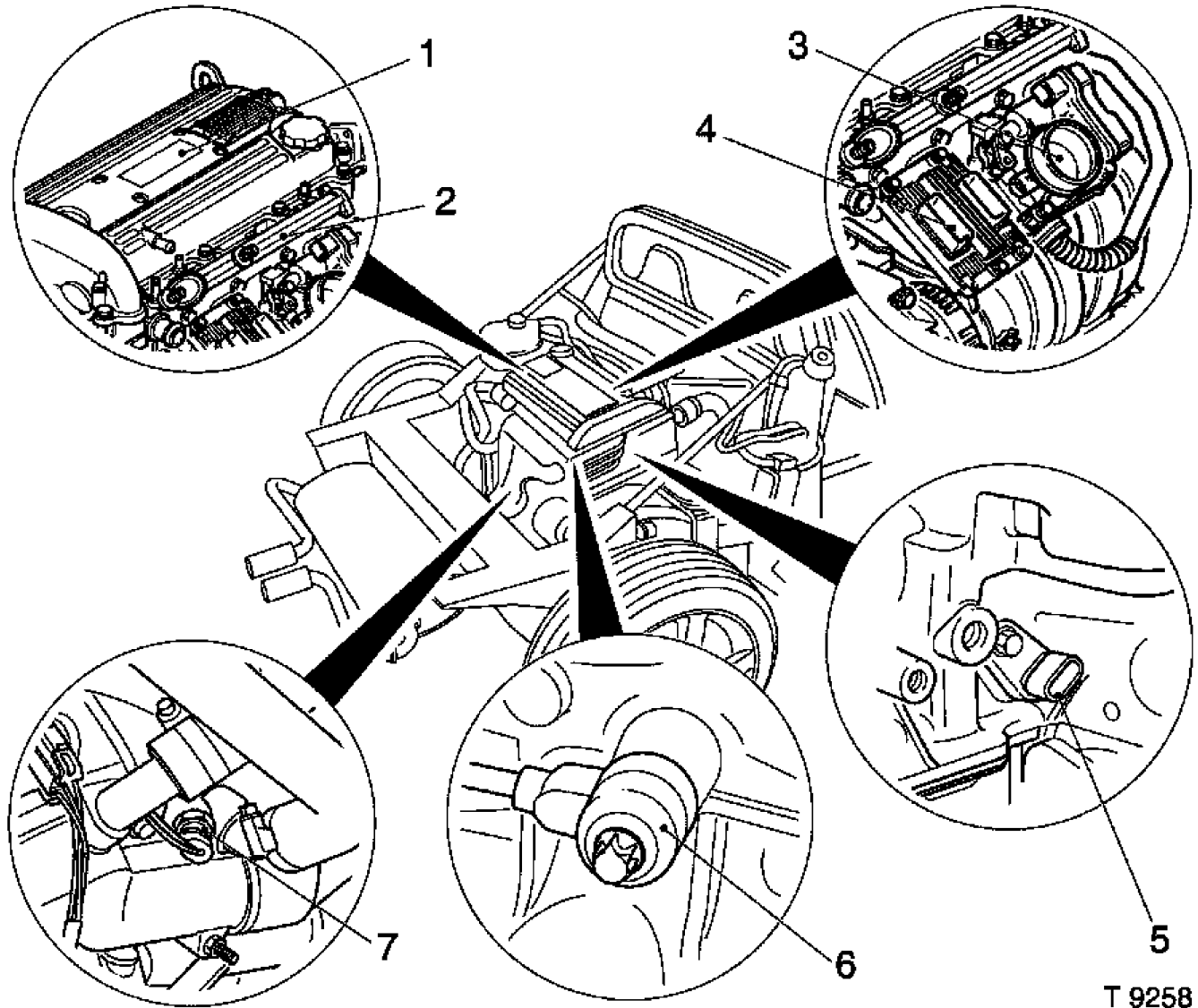


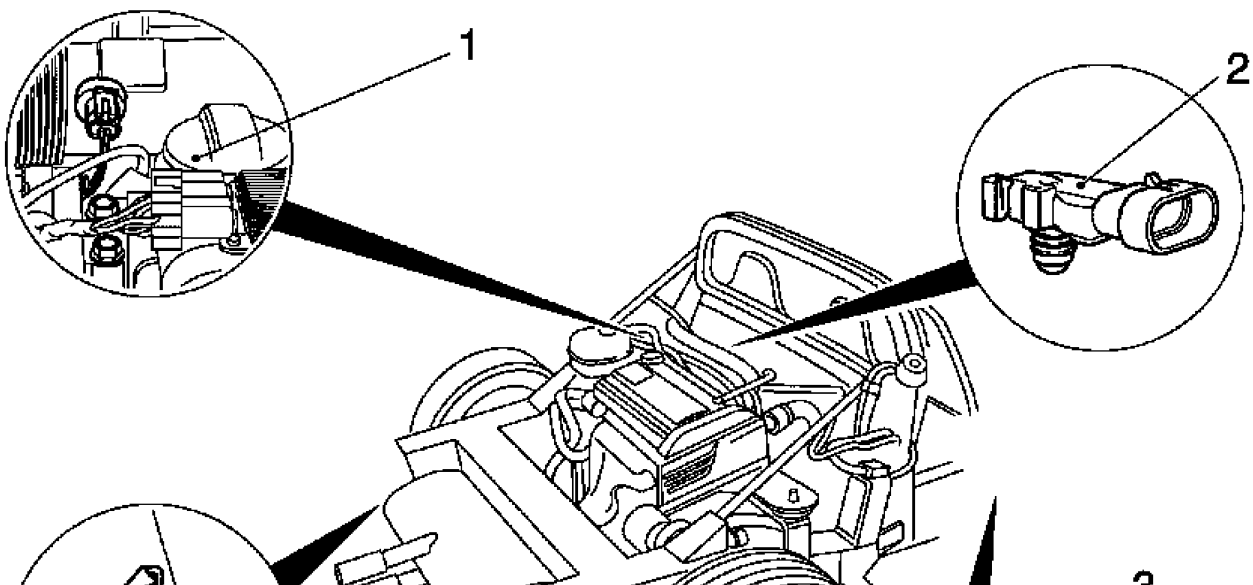
Location of Components

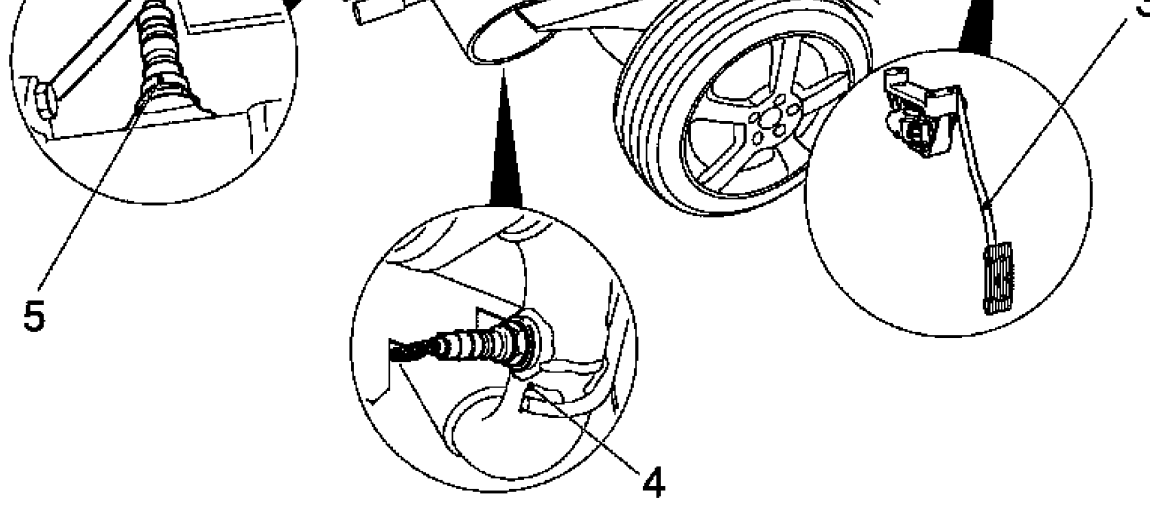


T 9258

- | | | | |
|---|----------------------------------|---|-----------------------------|
| 1 | Ignition module, direct ignition | 5 | Sensor, crankshaft impulse |
| 2 | Injection valves | 6 | Sensor, knock control |
| 3 | Positioner, throttle valve | 7 | Sensor, coolant temperature |
| 4 | Engine control unit | | |

9.14.1 Location of Components (continued)





T 9294

- | | | | |
|---|---|---|----------------|
| 1 | Sensor, air intake temperature | 4 | Sensor, oxygen |
| 2 | Sensor, intake manifold absolute pressure | 5 | Sensor, oxygen |
| 3 | Sensor, accelerator pedal position | | |