

Cooling System, Check for Leaks



Inspect

Ensure that the coolant level in the reservoir is at the MAX mark.

Add fluid if required.

Engine at operating temperature.



Install

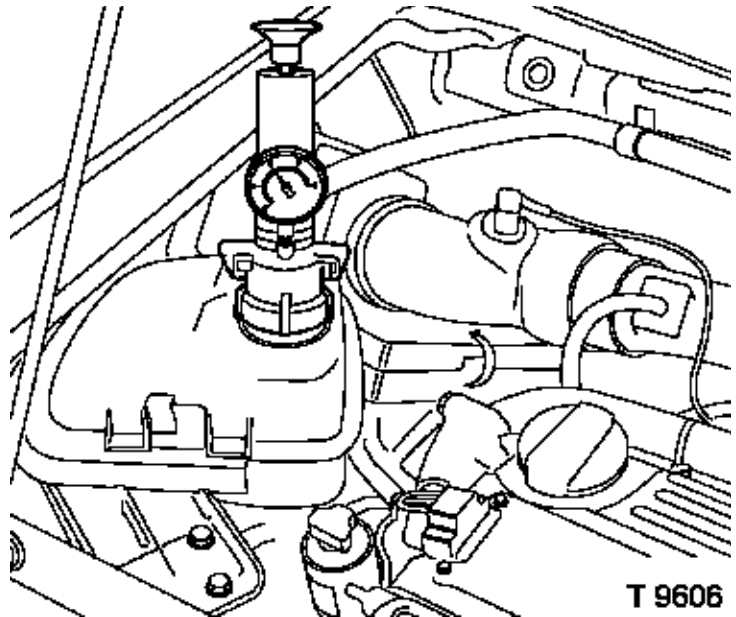
Pressure tester.



Inspect

Cooling system for leaks – apply a pressure of approx. **2 bar (29 psi)**.

The entire cooling system must remain leak-free for at least 3 minutes under this pressure.



T 9606