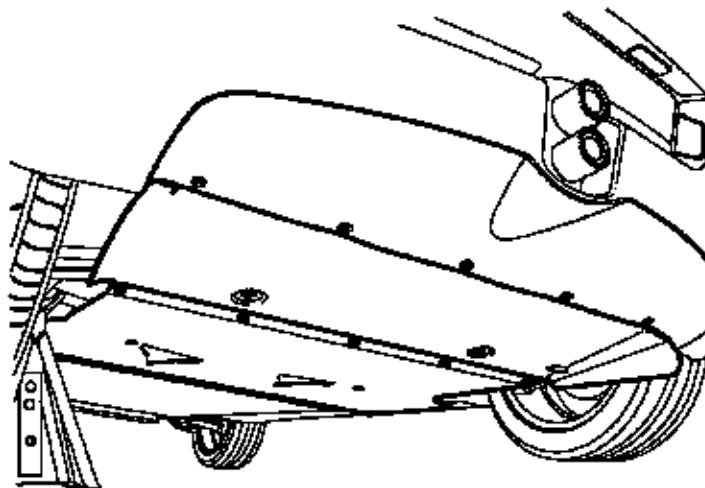


Engine Damping Block RH, Replace



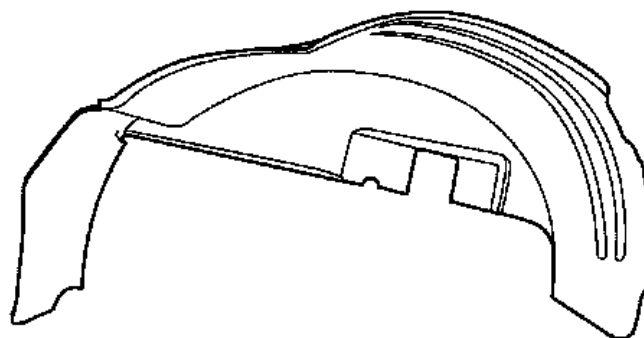
Remove

Underbody cover – see operation "Underbody Cover, Remove and Install" in Group A.



T 9649

Rear right-hand wheel arch trim – see operation "Rear Wheel Arch Trim, Remove and Install" in Group A.



S 0788

Support the engine from underneath.

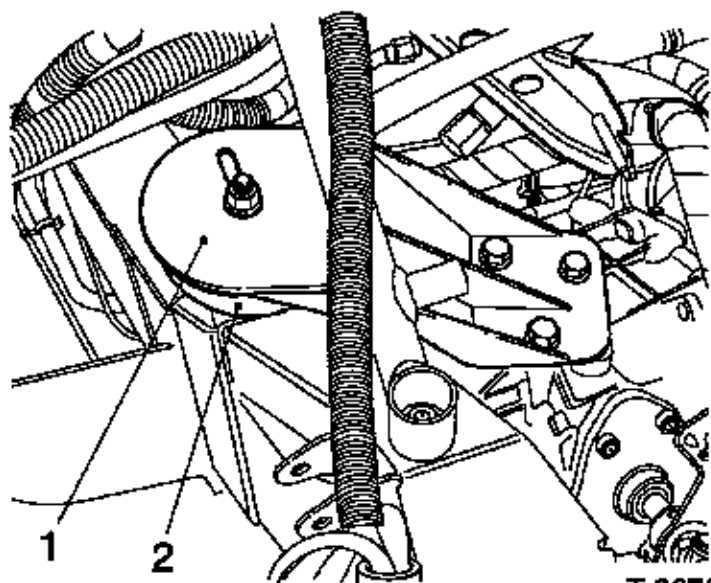
Bracket (1) from damping block (2) and transmission – nut, bolts.

Engine damping block (2) – nut.

**Install**

Engine damping block (2) – nut **45 Nm**.

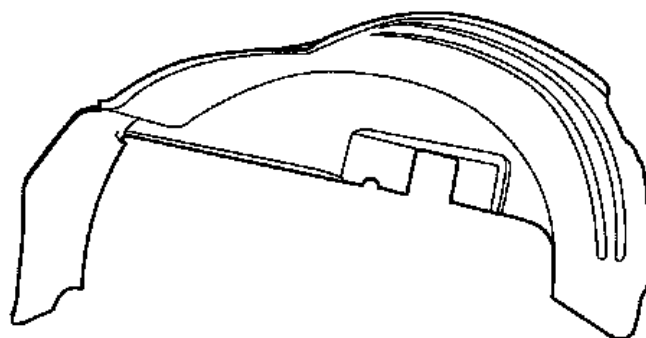
Bracket (1) to transmission and damping block – nut **45 Nm**, bolts **85 Nm**.



T 9672

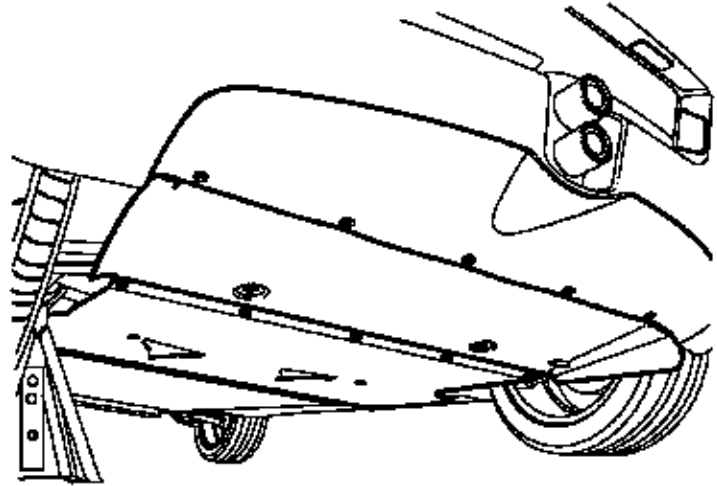
**Install**

Rear right-hand wheel arch trim – see operation "Rear Wheel Arch Trim, Remove and Install" in Group A.



S 0788

Underbody cover – see operation "Underbody Cover, Remove and Install" in Group A.



T 9649