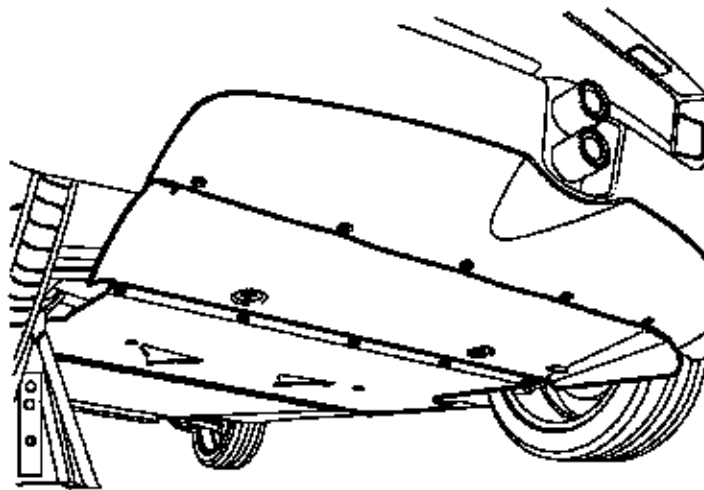


Engine Damping Block LH, Replace



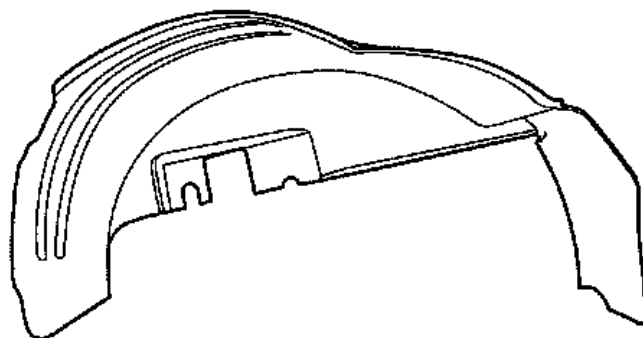
Remove

Underbody cover – see operation "Underbody Cover, Remove and Install" in Group A.



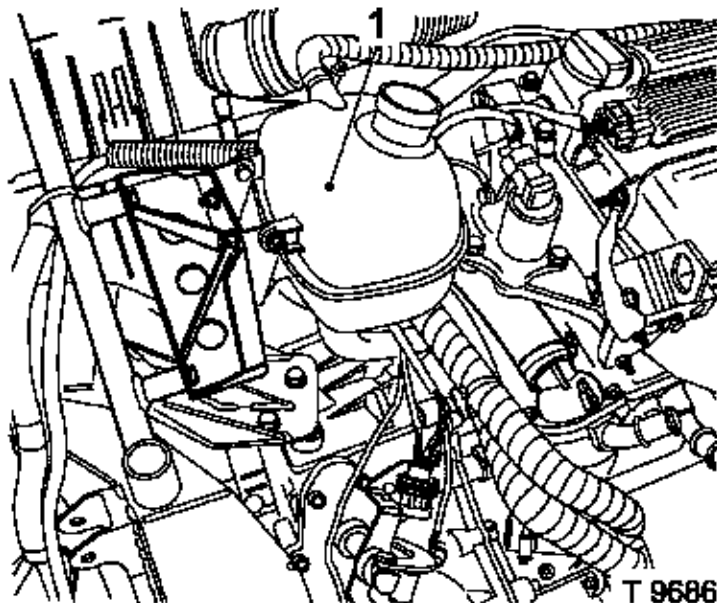
T 9649

Rear left-hand wheel arch trim – see operation "Rear Wheel Arch Trim, Remove and Install" in Group A.

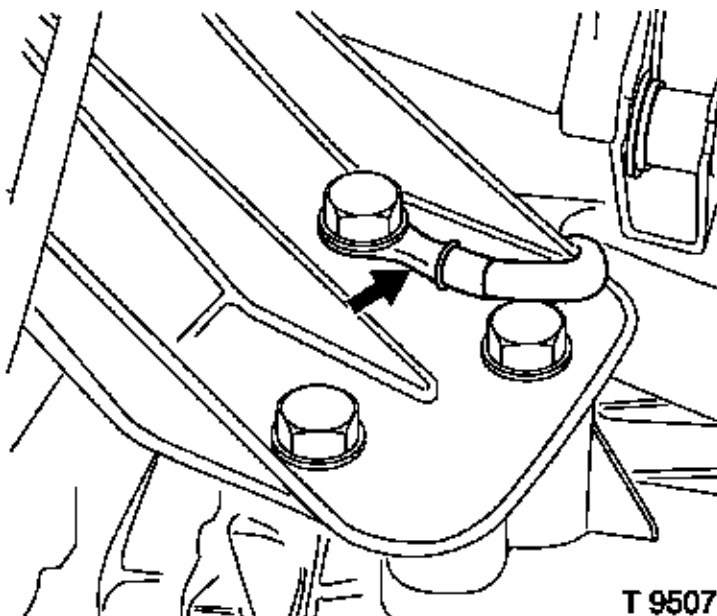


S 0789

Expansion tank (1) from the bracket, reposition to one side.



Ground cable (arrow) from the bracket.



Support the engine from underneath.



Remove

Bracket (1) from damping block (2) and engine
– nut, bolts.

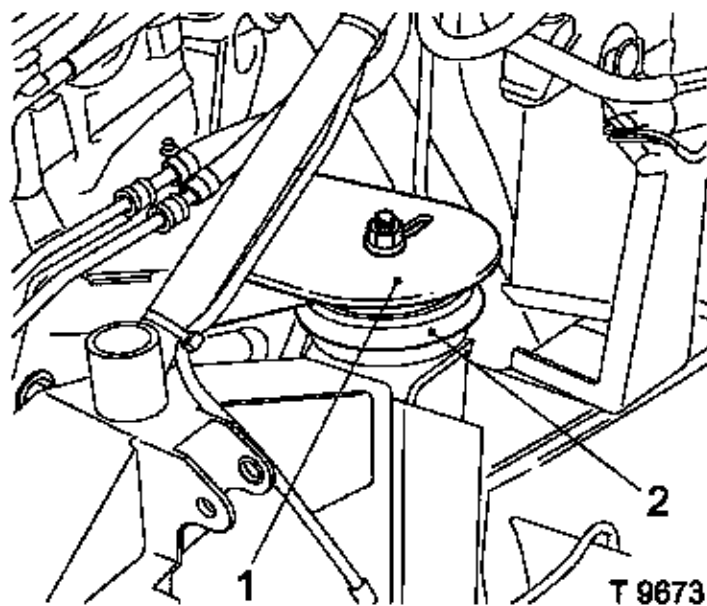
Engine damping block (2) – nut.



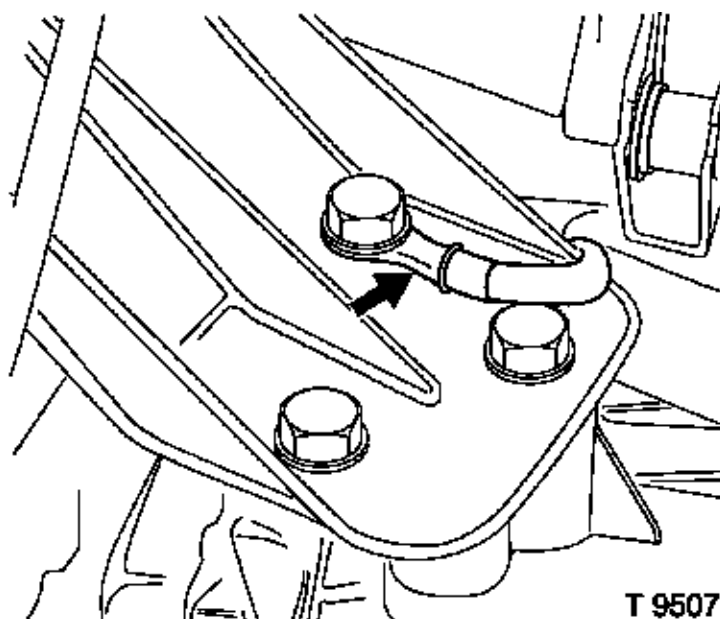
Install

Engine damping block (2) – nut **45 Nm**.

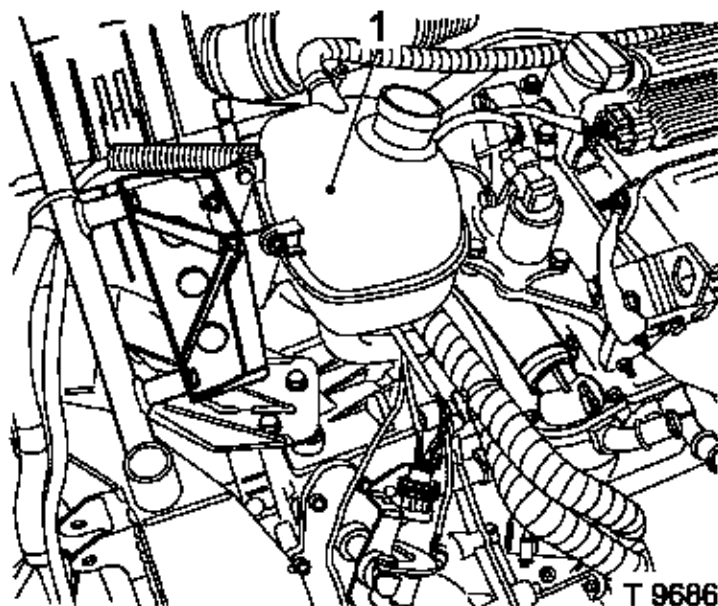
Bracket (1) to engine and damping block – nut,
bolts **45 Nm**.



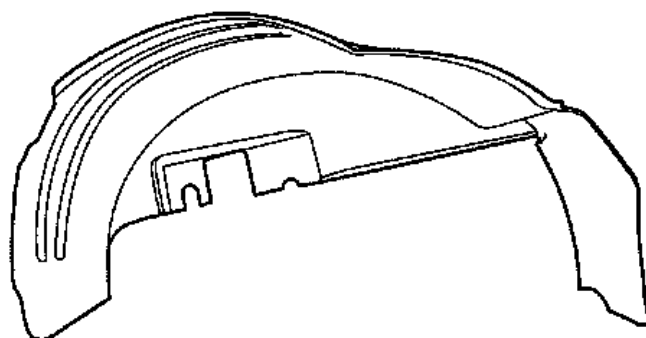
Ground cable (arrow) to the bracket.



Expansion tank (1) to the bracket.

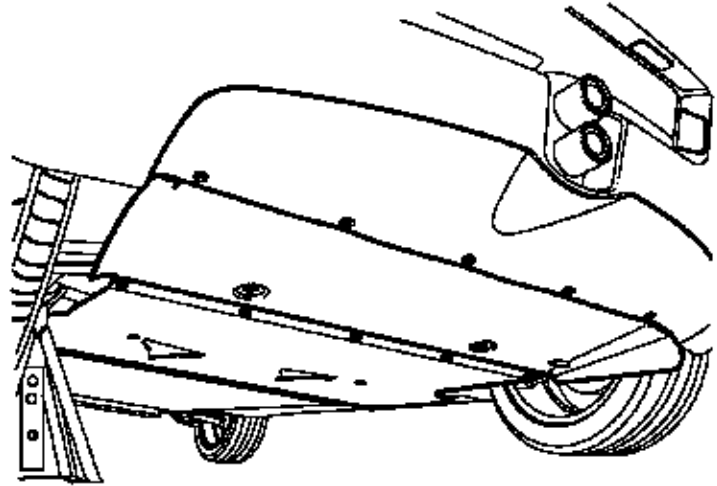


Rear left-hand wheel arch trim – see operation "Rear Wheel Arch Trim, Remove and Install" in Group A.



S 0789

Underbody cover – see operation "Underbody Cover, Remove and Install" in Group A.



T 9649