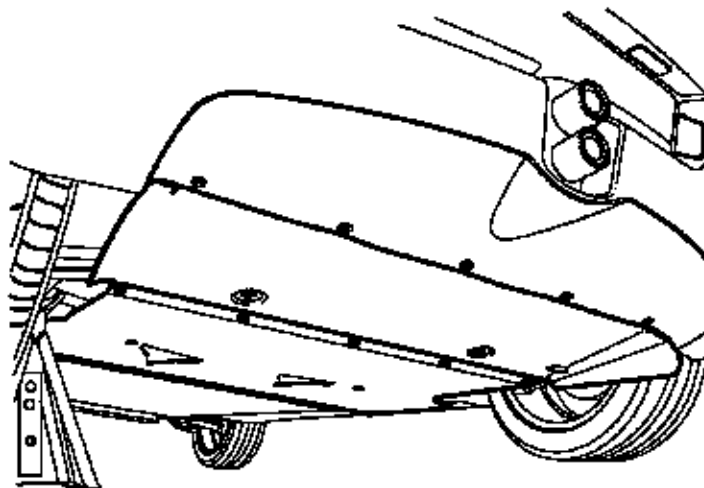


Engine Damping Block, Rear, Replace



Remove

Underbody cover – see operation "Underbody Cover, Remove and Install" in Group A.



T 9649

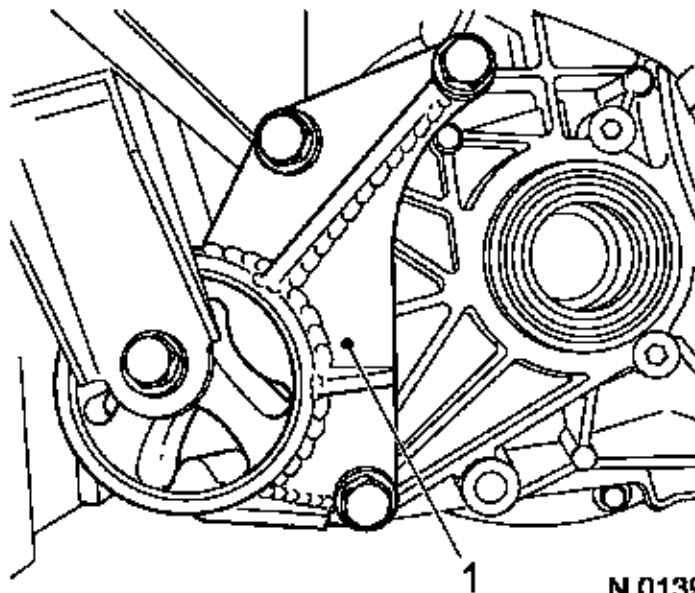
Support the engine from underneath.

Engine damping block (1) from engine and bracket – bolts.



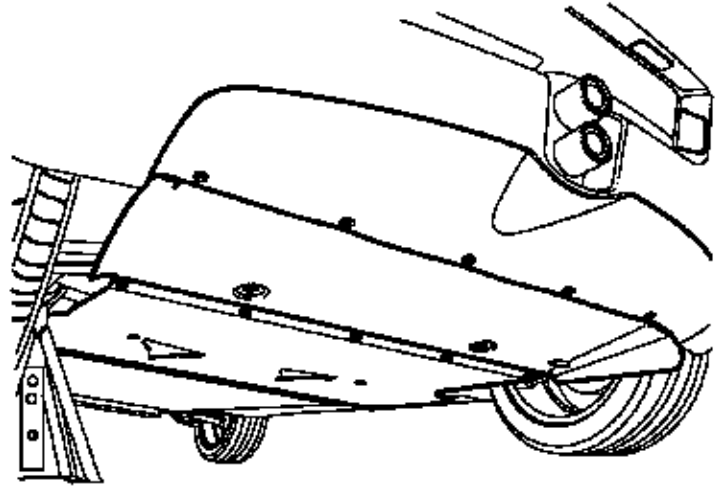
Install

Engine damping block (1) to bracket and engine – bolts.



N 0139

Underbody cover – see operation "Underbody Cover, Remove and Install" in Group A.



T 9649