

## Distributorless Ignition (DIS) Module, Remove and Install



### Remove

Wiring harness connector from the DIS module.

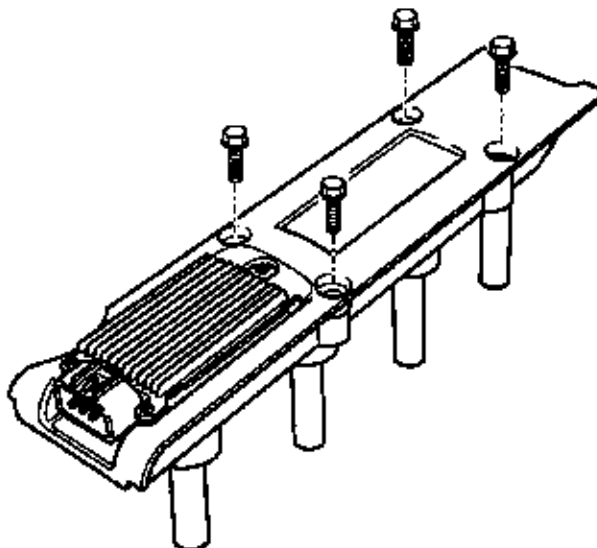
DIS module from the cylinder head cover – 4 bolts.



### Install

DIS module to the cylinder head cover – 4 bolts, **10 Nm**.

Wiring harness connector to the DIS module.



T 9495