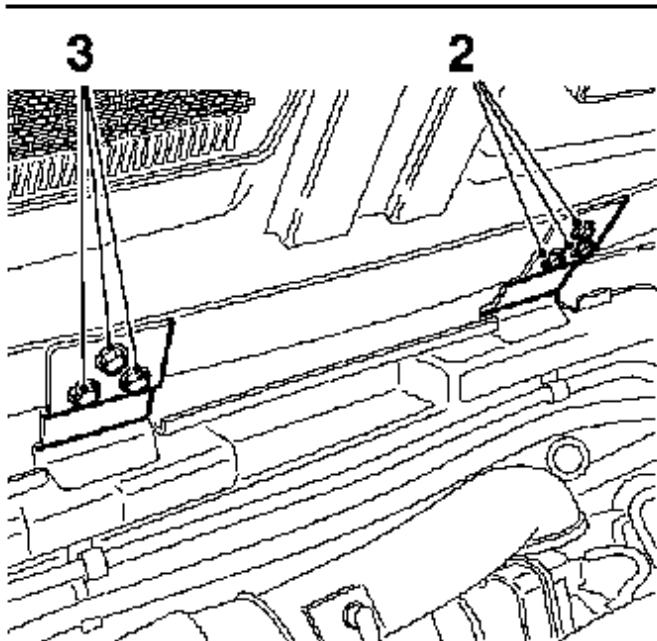
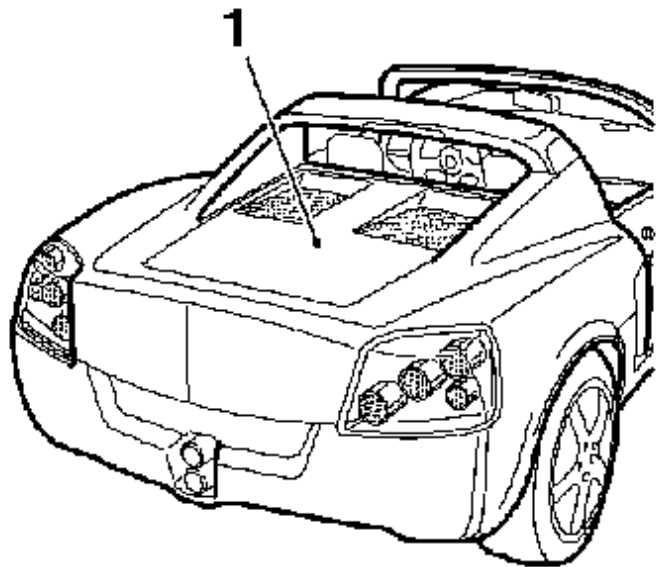


Oil Pan, Remove and Install (Z 22 SE)



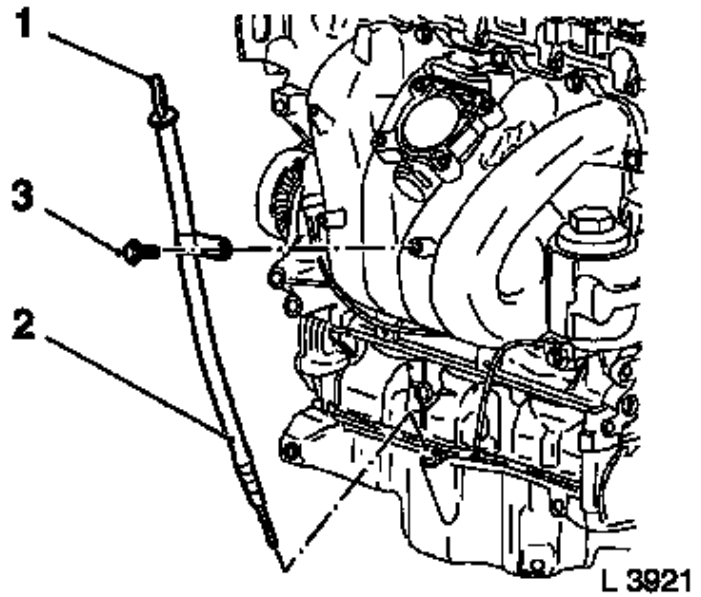
Remove

1. Open the bonnet.
2. Disconnect the battery.
3. Open the rear engine cover (1).
4. Detach the rear engine cover.
 - 6 bolts (2) and (3)

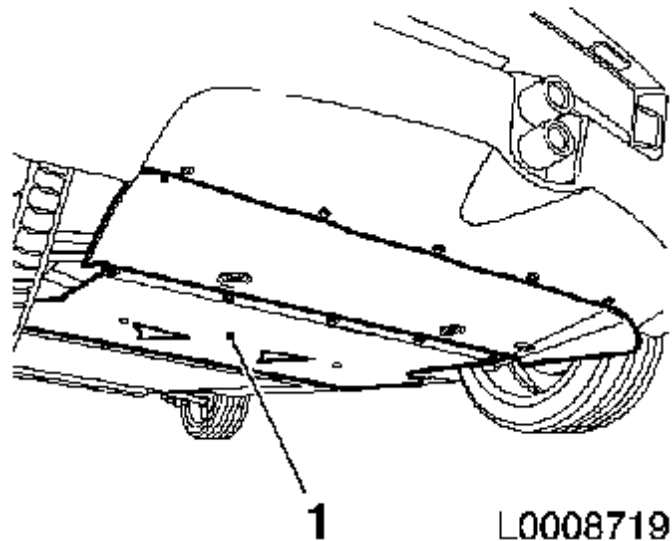


L0008715

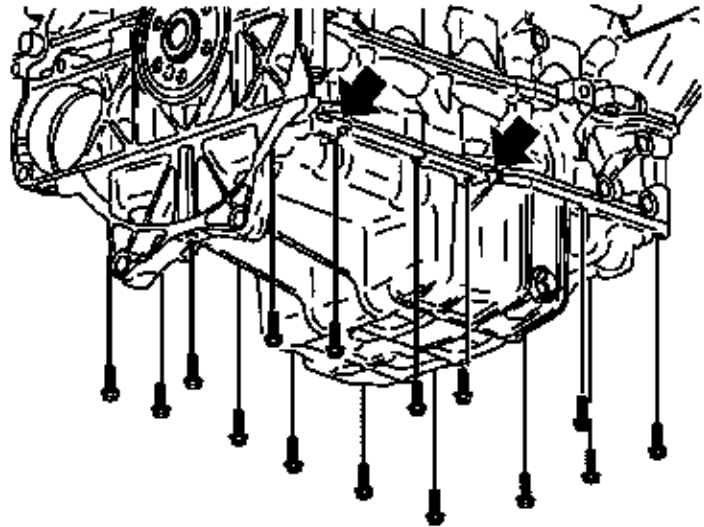
5. Undo the bolts on the oil dipstick guide tube (2).
 - Pull out the oil dipstick (1).
 - 1 bolt (3)
6. Remove the oil dipstick guide tube.
 - Pull the oil dipstick guide tube out from the oil pan and lift it out to the top.
7. Raise the lifting ramp.



8. Remove the lower engine splash shield (1).
 - 13 bolts
9. Place a drip tray underneath.
10. Drain the engine oil.
 - Open the oil drain plug.
 - Install the oil drain plug using a new oil seal.
 - Tightening torque **25 Nm**



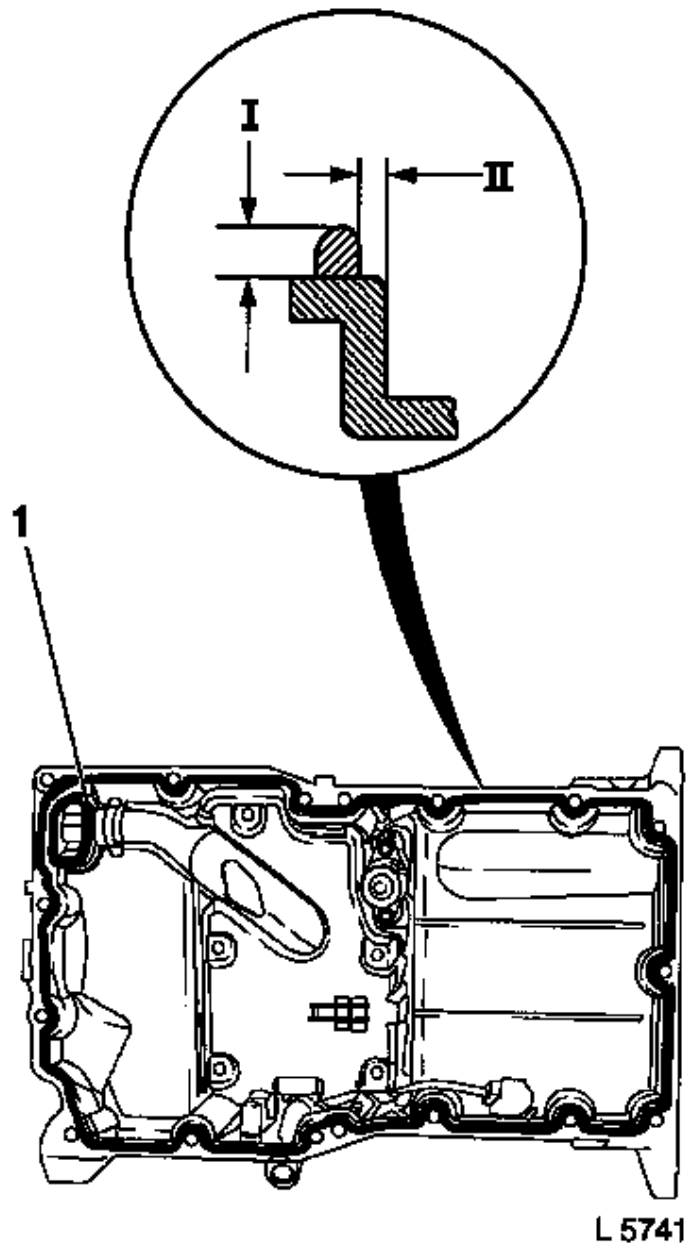
11. Remove the oil pan.
 - 17 bolts
 - Note:** Use a suitable tool to evenly prise it off at the leverage points (arrow).
12. Clean the sealing surfaces.
 - Cylinder block base plate, oil pan
13. Recut the thread.
 - 15 off



L 5721

**Install**

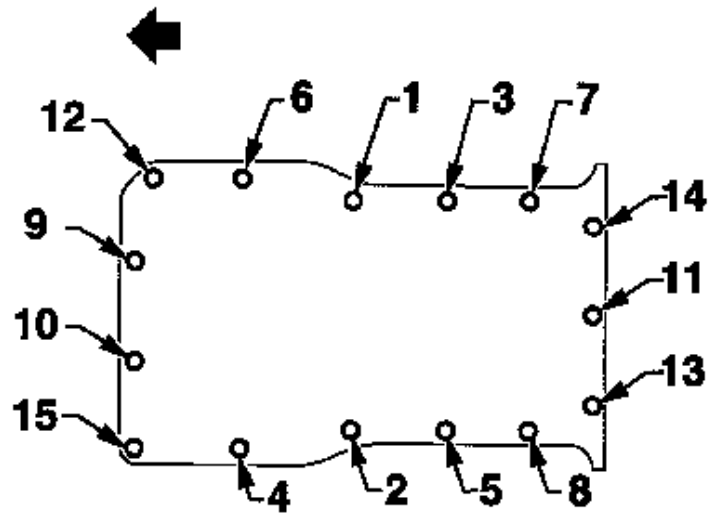
14. Install the oil pan.
 - Apply a bead of silicone sealant (grey) (approx. **2 mm** to **2.5 mm** (dimension I) thick) at a spacing of **0.5 mm** to **1.5 mm** (dimension II) from the inner edge of the sealing surface to the sealing surfaces of the oil pan.
 - Apply an additional bead of silicone sealant (grey) (approx. **2 mm** to **2.5 mm** (dimension I) thick) centrally to the oil intake pipe connection (1).



15.

Note: Observe the tightening sequence.

- Tighten all bolts loosely.
- To the cylinder block base plate – tightening torque **23 Nm**
- To the transmission housing – tightening torque **23 Nm**



L 5742

16. Install the lower engine splash shield
 - 13 bolts
17. Lower the lifting ramp.
18. Insert the oil dipstick guide tube.
 - Use new oil seals.
 - Coat the oil seals with silicone grease (white).
 - Insert the oil dipstick guide tube as far as the stop into the oil pan.
 - Attach the knock sensor wiring harness connector.
19. Attach the oil dipstick guide tube.
 - Tightening torque **9 Nm**
20. Fill up with engine oil and check the oil level.
21. Install the rear engine cover.
 - Check the alignment.
 - 6 bolts, tightening torque **14 Nm**
22. Close the rear engine cover.
23. Connect the battery.
24. Close the bonnet.
25. Reprogram the volatile memories.