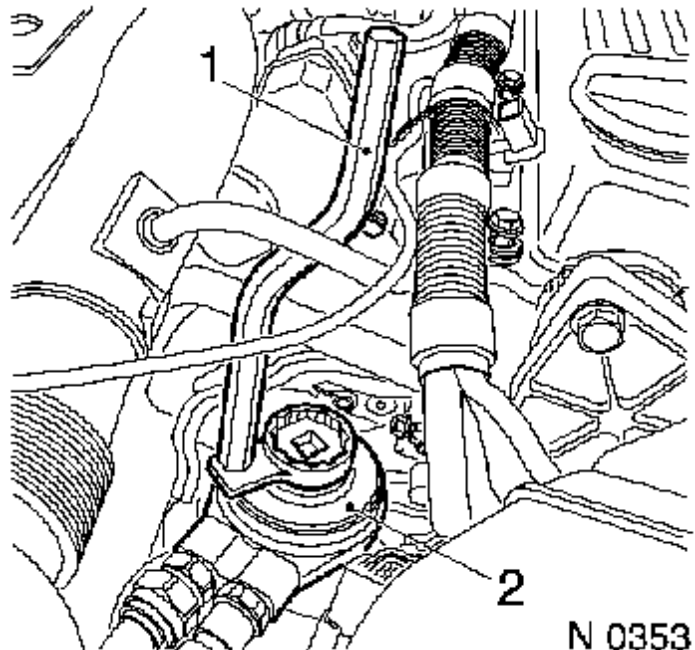


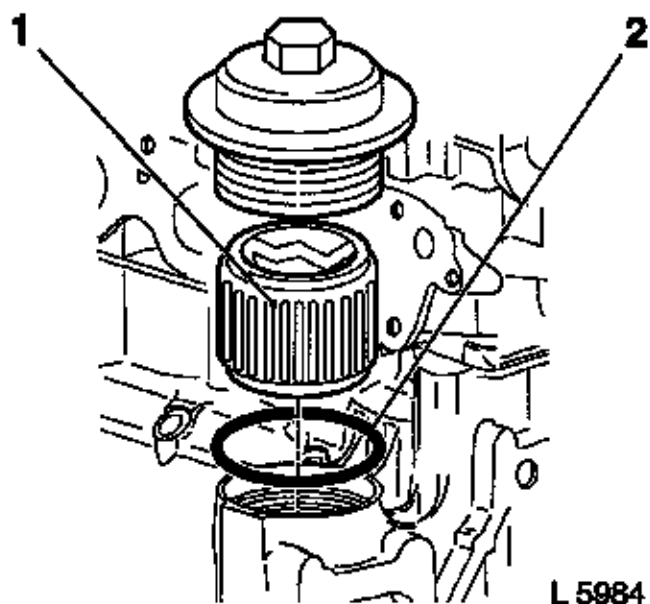
Engine Oil, Change – Z22SE

1. Remove the element from the oil filter housing.
 - Detach the cover (2).
 - Use **KM-6150** (1).
 - Remove the oil filter element.



N 0353

2. Raise the lifting ramp.
3. Detach the engine undershield – see operation "Engine Undershield, Detach and Reattach" in Group A.
4. Place a drip tray underneath the engine.
5. Drain the engine oil.
 - Remove the drain plug.
 - Install the drain plug using a new oil seal **25 Nm**.
6. Attach the engine undershield – see operation "Engine Undershield, Detach and Reattach" in Group A.
7. Lower the lifting ramp.
8. Install the element in the oil filter housing.
 - Install a new oil seal (2).
 - Attach the oil filter element (1) to the cover.
 - Attach the cover **25 Nm**.



L 5984

9. Fill up with engine oil and check the oil level.