

# Door, Remove and Install



**Remove**

Front clamshell – see operation "Front Clamshell, Remove and Install".

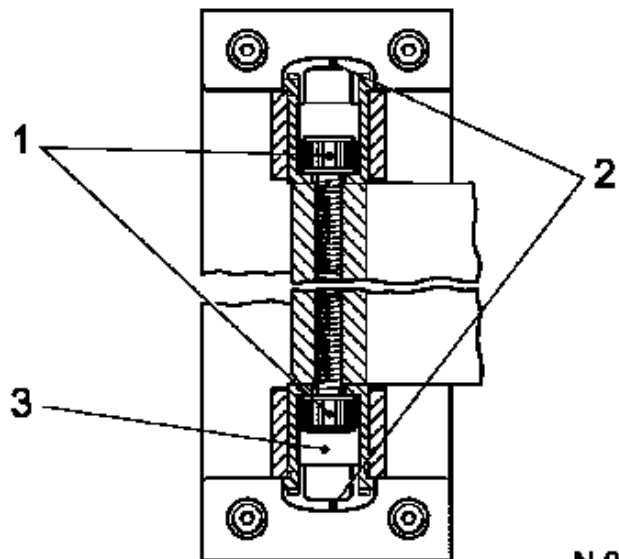
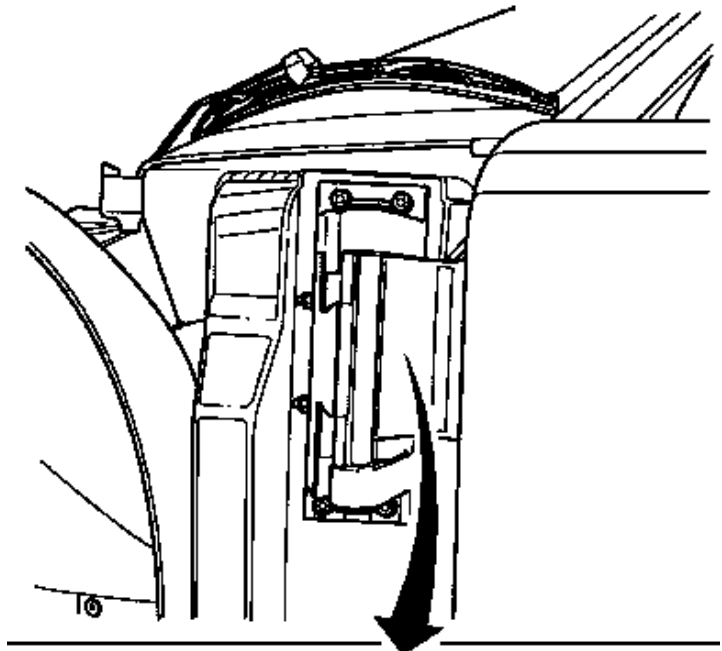
Blanking caps (2).

Hinge bolts (1).

Door – 2nd technician.

Lower hinge bushing (3).

**Important:** Align door correctly in hinge.



**N 0108**

## **Important!**

Do not lubricate hinge bushing.

Align door correctly when attaching.



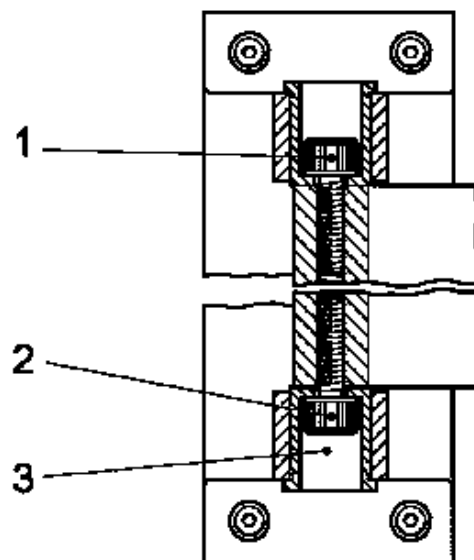
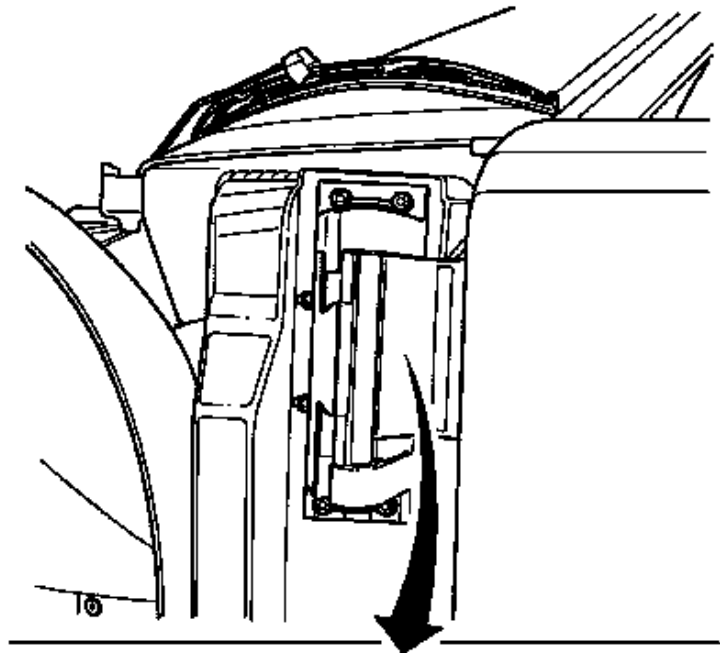
**Install**

Door – 2nd technician.

Upper hinge bolt (1) – **45 Nm**.

Lower hinge bushing (3).

Lower hinge bolt (2) – **45 Nm**.

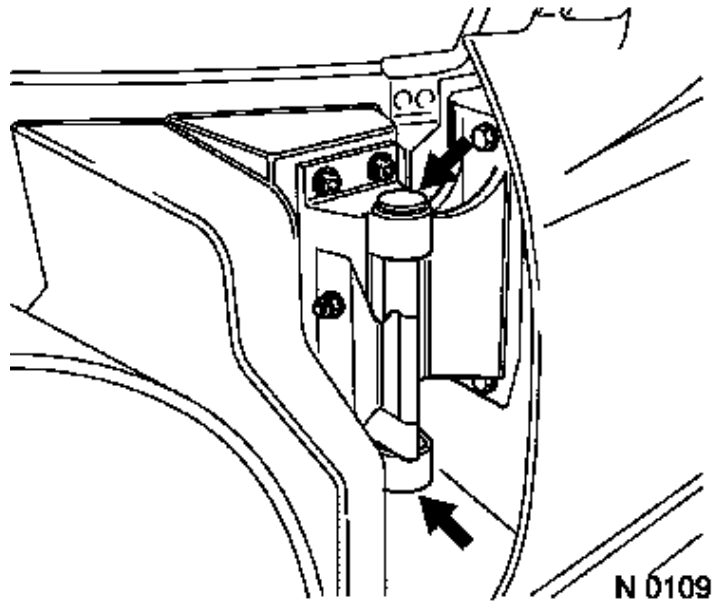


N 0116



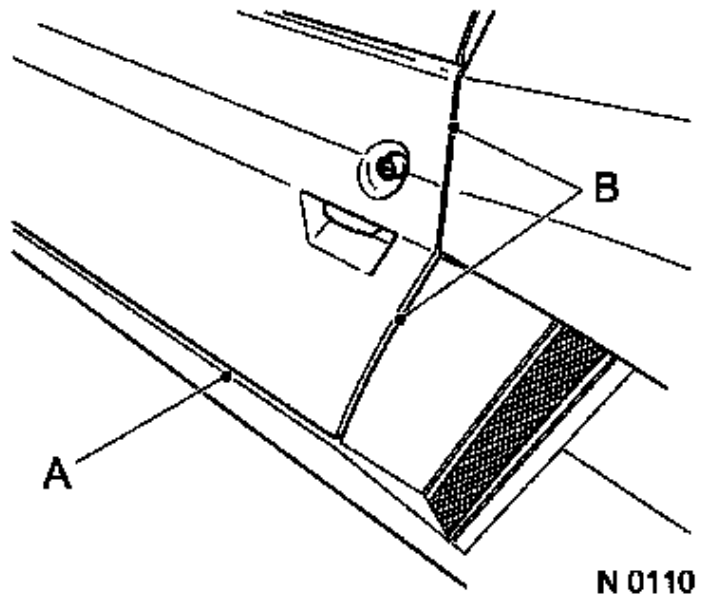
**Install**

Blanking caps (arrowed).



**Inspect**

Door gaps A and B.



**Adjust**

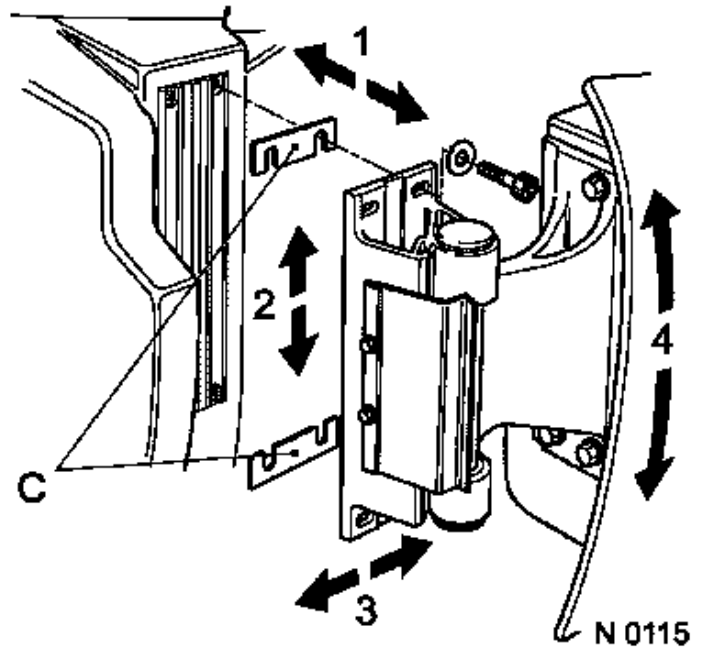
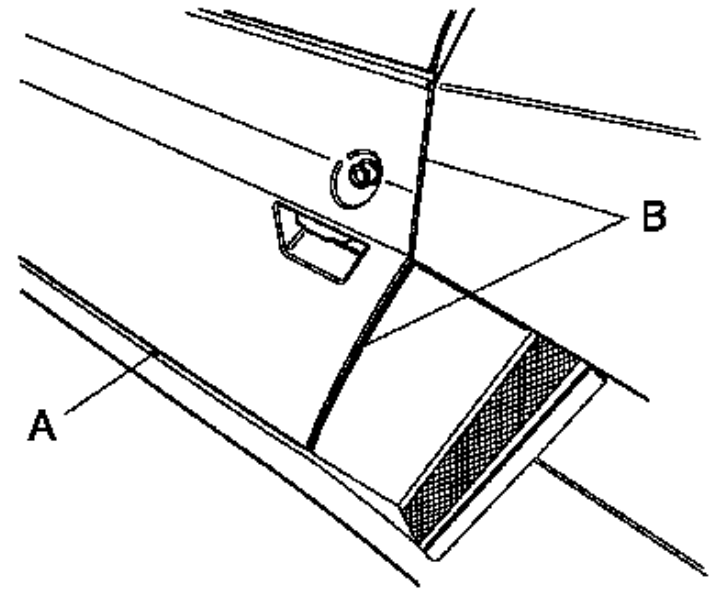
Adjust gap if necessary. Door gap is set by adjusting door hinge:

Area A	– Adjustment in direction 2. – Angle adjustment in direction 4.
Area B	– Adjustment in direction 3.

Misalignment of doors in direction 1 is adjusted by adding or removing spacers (C).

If necessary adjust door latch striker pins – see operation "Door Striker, Adjust" in group C.

If necessary install door window – see operation "Door Window, Remove and Install" in group C.



Front clamshell – see operation "Front Clamshell, Remove and Install".