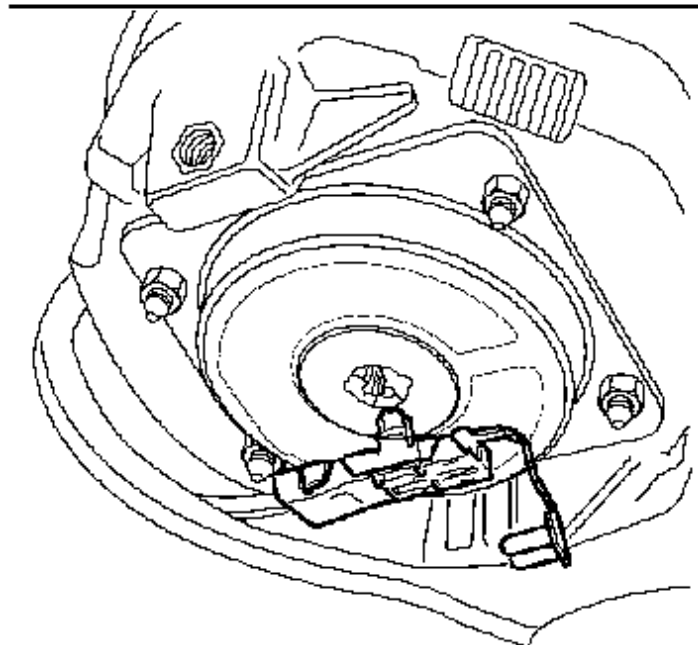
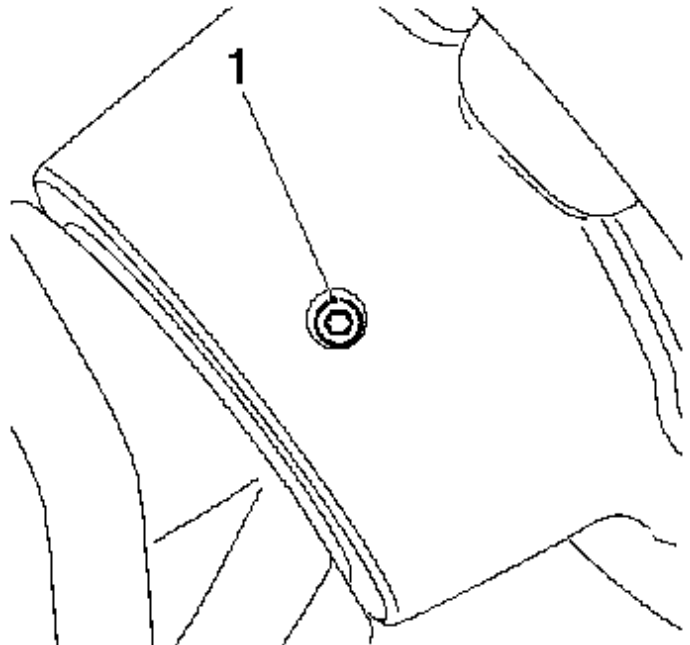


Steering Column, Remove and Install

1. Remove soft top from vehicle - see operation "Soft Top, Remove and Install"
2. Open bonnet
3. Disconnect battery negative lead
 - Remove windscreen wash reservoir from mounting bracket
 - Remove nut

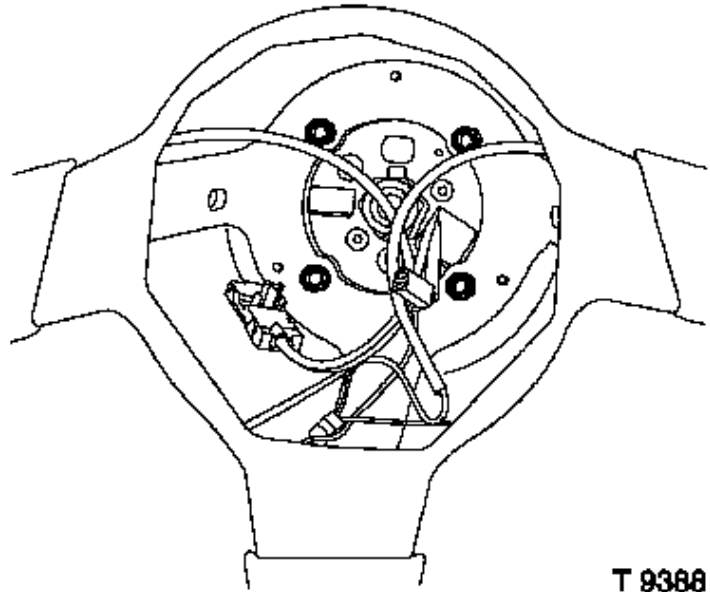
Warning: Wait at least two minutes before removing airbag

4. Remove airbag from steering wheel
 - Remove 2x bolt (1)
 - Release harness connector



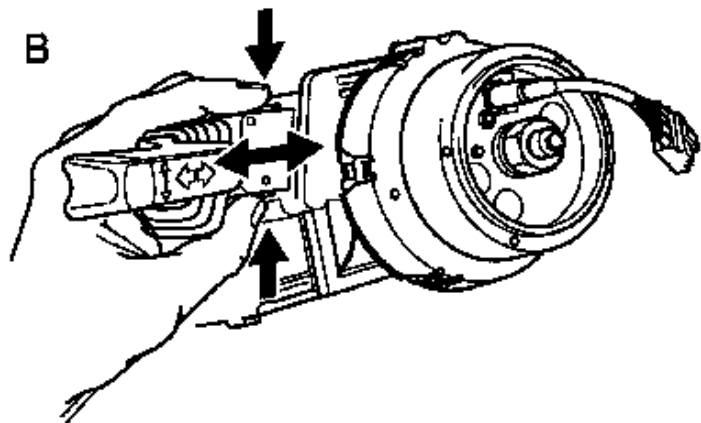
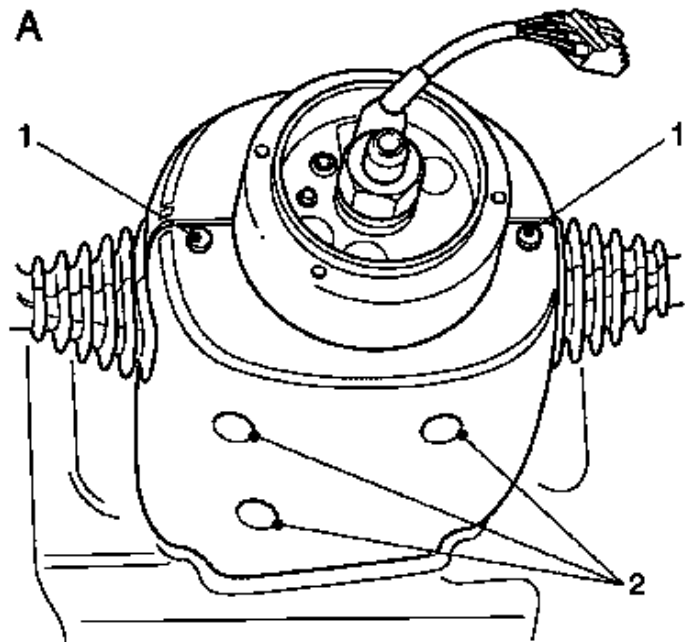
S 0002018

5. Disconnect horn switch from switch assembly
 - Release harness connector
6. Remove steering wheel from steering column
 - Remove 4x bolt



T 9388

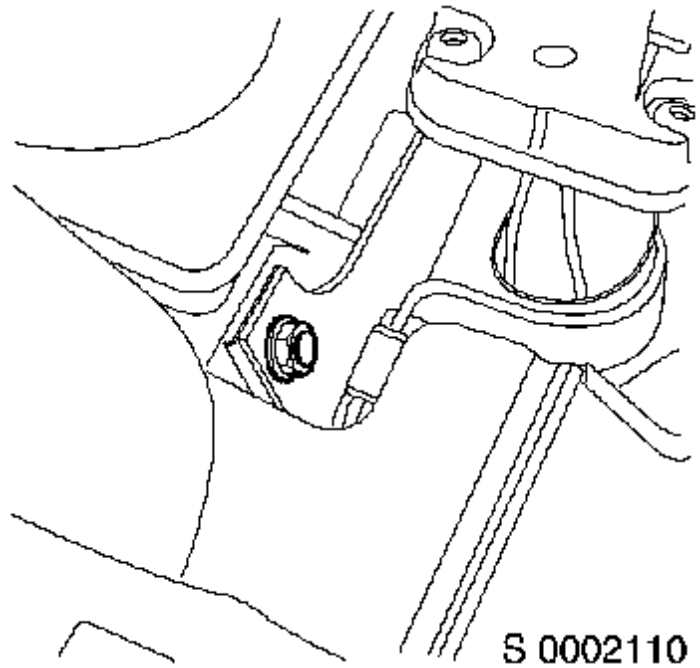
7. Release upper bolt of intermediate shaft
 - Remove nut, bolt
8. Remove upper cover from steering column
 - Remove 6x screw (1)
9. Remove lower cover from steering column
 - Remove 3x screw (2), remove clip, release harness connector
10. Remove turn signal switch
 - Release 2x clip
11. Remove windscreen wiper switch
 - Release 2x clip



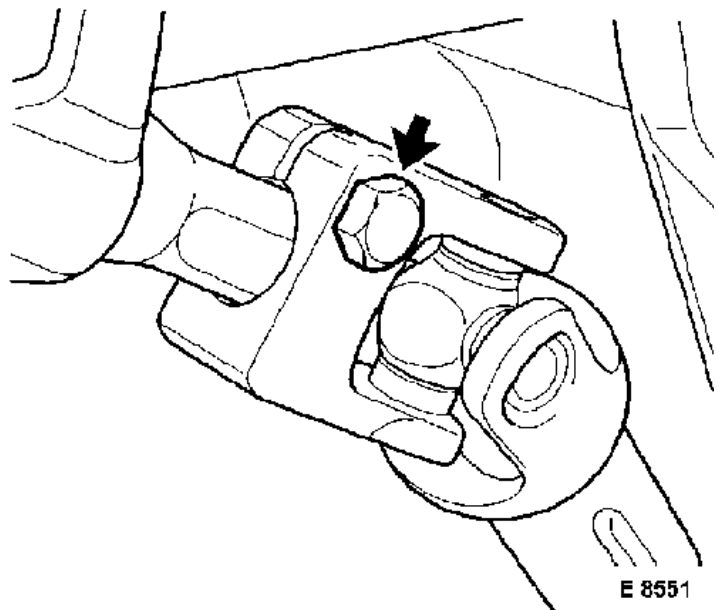
T 9089

12. Disconnect airbag contact unit
 - Release cable tie, release harness connector
13. Remove steering wheel boss
 - Remove nut, washer, release spring
14. Remove housing for turn signal switch from steering column
 - Remove 2x torx screw, washer
15. Remove ignition barrel and ignition switch from steering column — see operation “Switch, Ignition for Steering Column Lock Assembly, Replace”
16. Remove instrument housing from instrument panel
 - Remove 2x bolt, washer, release harness connector

- Tilt instrument housing forward



17. Remove steering column from instrument panel
 - Remove 2x bolt, washer
18. Remove bottom of steering column from bulkhead
 - Remove bolt, washer
19. Remove universal joint from steering column
 - Remove bolt, nut



20. Remove cover support bracket of steering column
 - Remove screw, release clip
21. Remove steering column from vehicle
22. Install steering column into vehicle
23. Secure cover support bracket of steering column
 - Install screw, secure clip

24. Install universal joint to steering column
 - Install bolt, nut **35 Nm**
25. Secure steering column to instrument panel
 - Install 2x washer, 2x bolt **22.5 Nm**
26. Secure steering column to bulkhead
 - Install washer, bolt **45 Nm**
27. Install instrument housing to instrument panel
 - Install 2x bolt, washer, secure harness connector
28. Install ignition switch to steering column
 - Install screw
29. Install engine immobilizer and ignition barrel to steering column
30. Install turn signal switch housing to steering column
 - Install 2x torx screw, washer
31. Install steering wheel boss to steering column
 - Install new nut, washer, secure spring **25 Nm**
Note: Twist washer upwards against nut to secure.
32. Connect airbag contact unit to steering column
 - Secure harness connector, secure cable tie
33. Install windscreen wipe switch to steering column
 - Secure 2x clip
34. Install turn signal switch to steering column
 - Secure clip
35. Install lower cover to steering column
 - Install 3x screw, secure clip, secure harness connector
36. Install upper cover to steering column
 - Install 6x screw
37. Install upper bolt to intermediate shaft **22.5 Nm**
 - Install nut
38. Install steering wheel to steering column
 - Install 4x bolt
39. Connect horn switch to switch assembly
 - Secure harness connector
40. Install airbag to steering wheel
 - Install 2x bolt
 - Secure harness connector
41. Connect battery negative lead
 - Install nut
 - Install windscreen wash reservoir to mounting bracket
42. Close bonnet
43. Install soft top to vehicle - see operation "Soft Top, Remove and Install"
44. Program all volatile memories