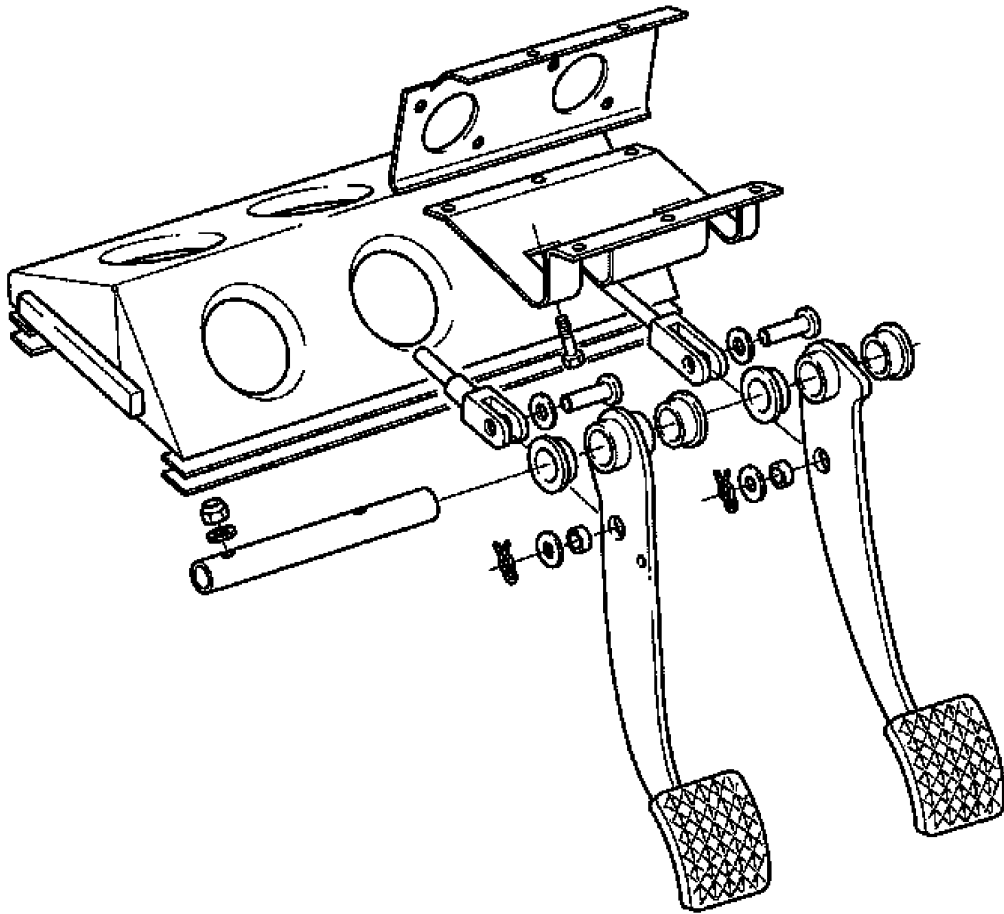


## Brake Pedal

The brake pedal is equipped with plastic bushes and pivots on a shaft together with the clutch pedal. A hole in the brake pedal accommodates the trunnion for the pushrod.



T 9158