

Brake Caliper, Front, Remove and Install

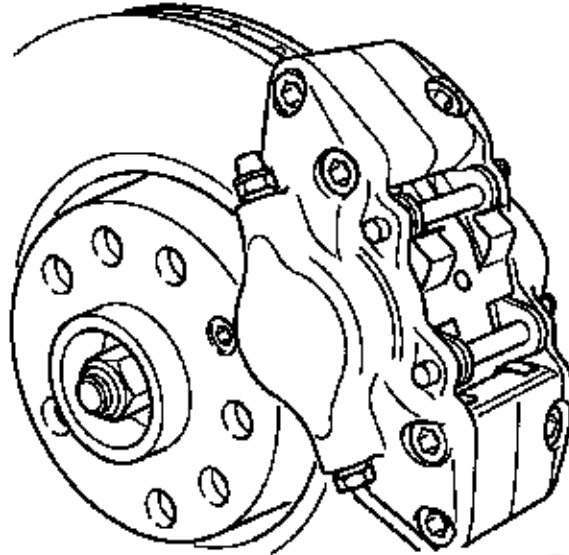


Remove

Wheel from vehicle – bolts.

Brake caliper from hub carrier – two screws.

Brake hose from brake caliper.



T 8771



Install

Brake hose to brake caliper.

Brake caliper to hub carrier – two screws.

Wheel to vehicle – bolts **90 Nm**.



Adjust

Caliper pistons and brake pads – operate brake pedal several times to reset.

Bleed brakes – see operation "Brake System, Bleed".