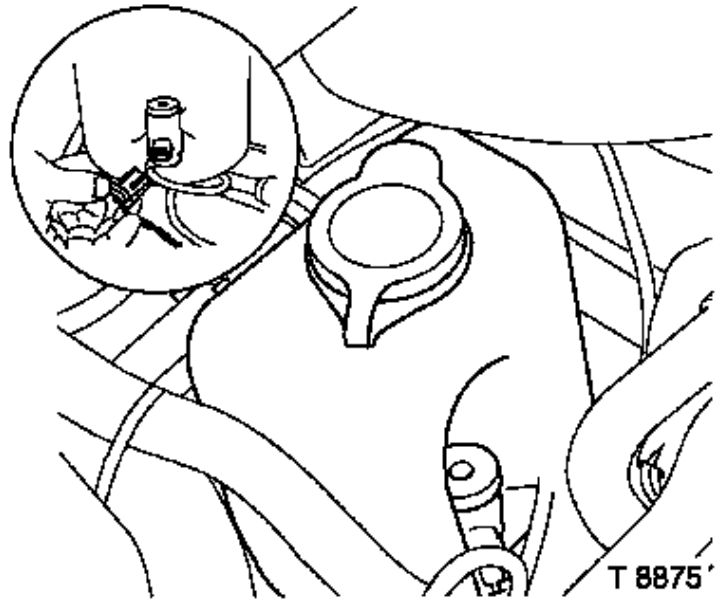
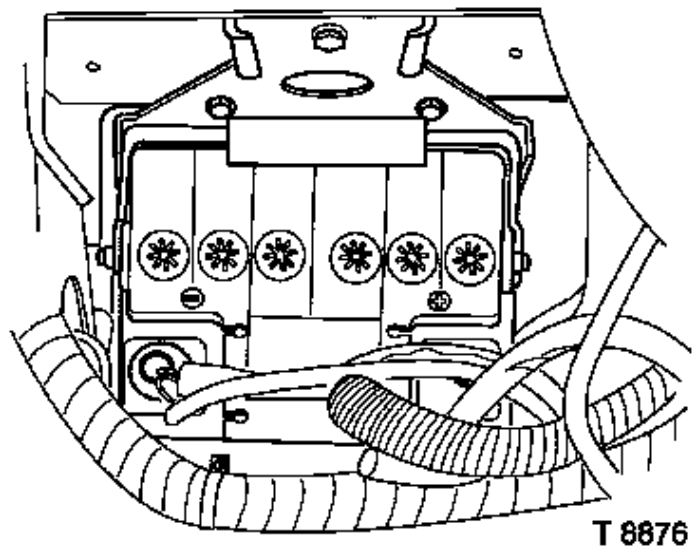


## Wiper Motor Linkage, Replace

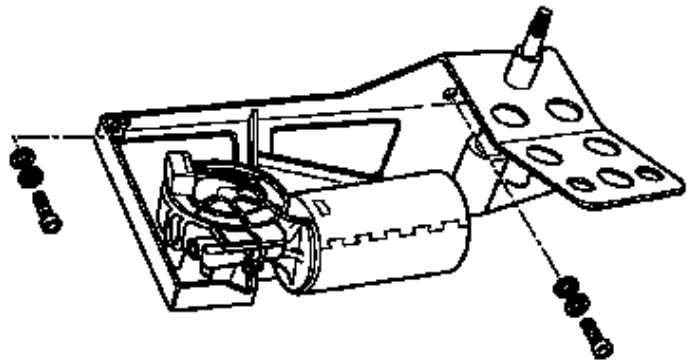
1. Release harness connector from wash pump
2. Release wash reservoir from support bracket and position to one side



3. Disconnect battery negative lead
  - Release nut

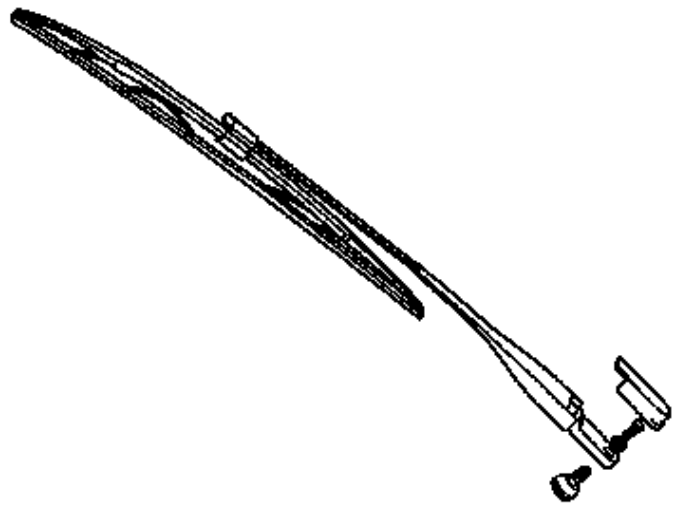


4. Remove wiper motor cover from front crash box
  - Remove 2x screw
5. Disconnect harness connector from wiper motor  
**Note:** Identify position of wiper motor linkage to aid installation
6. Disconnect linkage from wiper motor
  - Remove nut
7. Remove wiper motor from support bracket
  - Remove 3x bolt



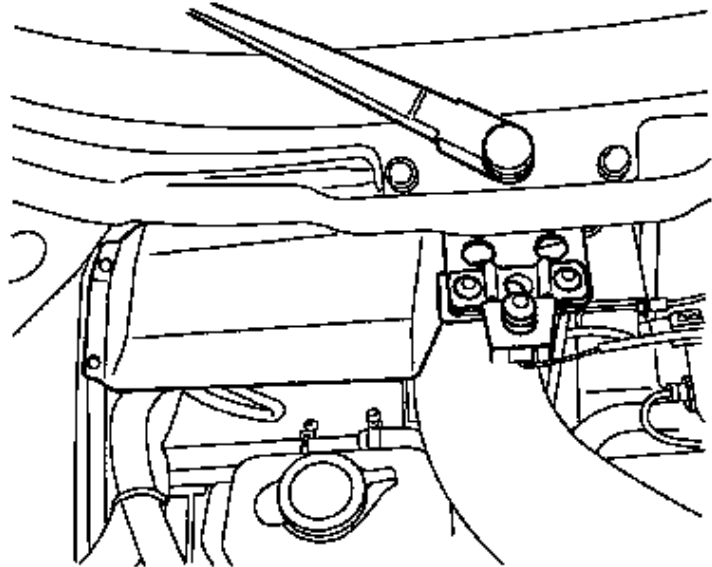
T 9465

8. Remove wiper arm from splined drive shaft
  - Remove cover, bolt , washer



T 9463

9. Release front bonnet latch assembly from support bracket
  - Remove 2x bolt, 2x washer



T 9464

10. Disconnect harness connector from front cover anti-theft switch
11. Remove front cover anti-theft switch
  - Release 2x clip
12. Release washer hose from support bracket and move to one side
  - Remove clip and T-piece
13. Remove wiper linkage assembly from vehicle bulkhead
  - Remove 3x bolt
14. Install wiper linkage to vehicle bulkhead
  - Ensure wiper linkage is installed in position noted during removal
  - Tighten 3x bolt
15. Install washer hose to support bracket
  - Install T-piece, clip
16. Install front cover anti-theft switch
  - 2x clip
17. Connect harness connector to front cover anti-theft switch
18. Install front bonnet latch assembly to support bracket
  - Install 2x washer and 2x bolt
19. Install wiper arm to correct wipe position on splined drive shaft
  - Install bolt and cover
20. Install wiper motor to support bracket
  - Clean thread of 3x bolt and apply locking compound
  - Tighten 3x bolt
21. Connect harness connector to wiper motor
22. Install wiper motor cover to front crash box
  - Install 2x screw
23. Connect battery
  - Connect negative lead
    - Secure nut
24. Secure wash reservoir to support bracket

25. Connect harness connector to wash pump
26. Reprogram all volatile memories