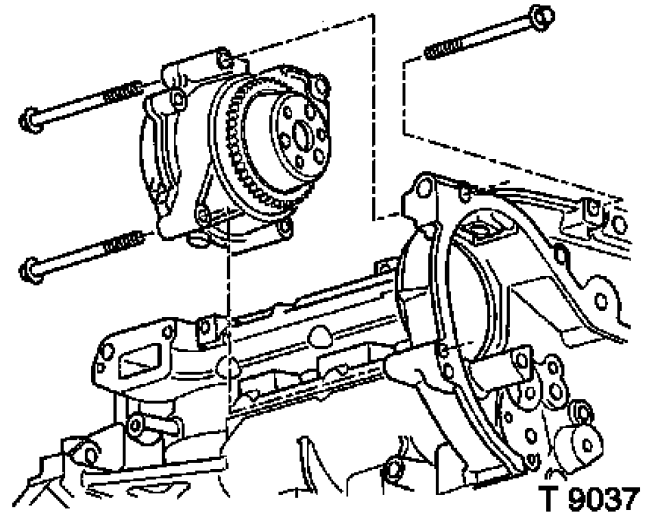


## Water Pump

The water pump is secured to the cylinder block at the rear of the timing case and is driven by the chain that drives the balancer shafts.



- **Service**

The water pump is removed by means of Holding Tool KM-J-43651, which is used to hold the water pump sprocket in position.