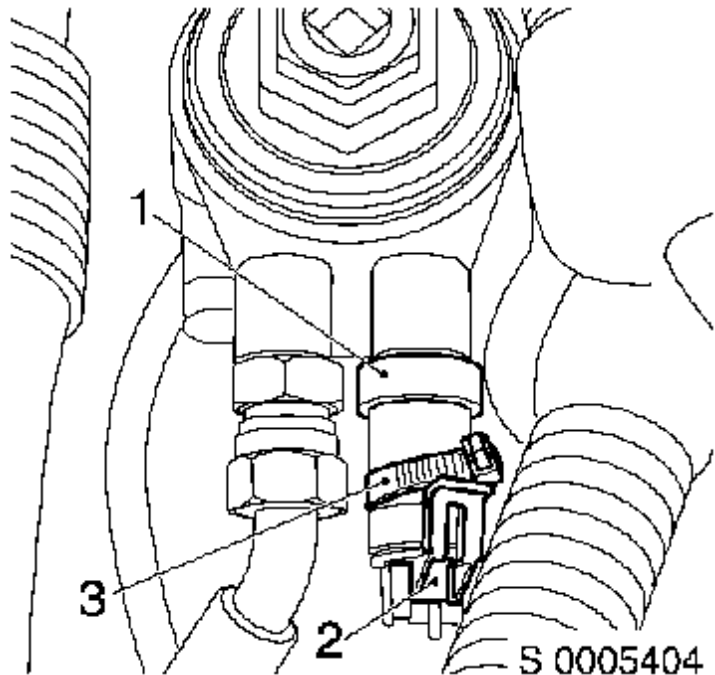


Oil Cooler Adaptor, Oil Filter Housing, Replace (Z 22 SE)

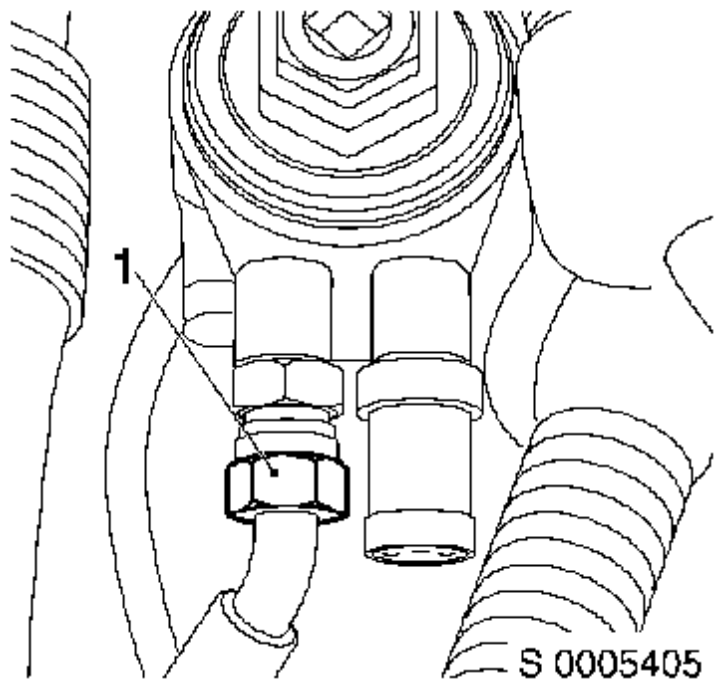


Remove

1. Disconnect harness connector (2) from oil pressure switch (1)
 - Release integral clip
 - Release cable tie (3)



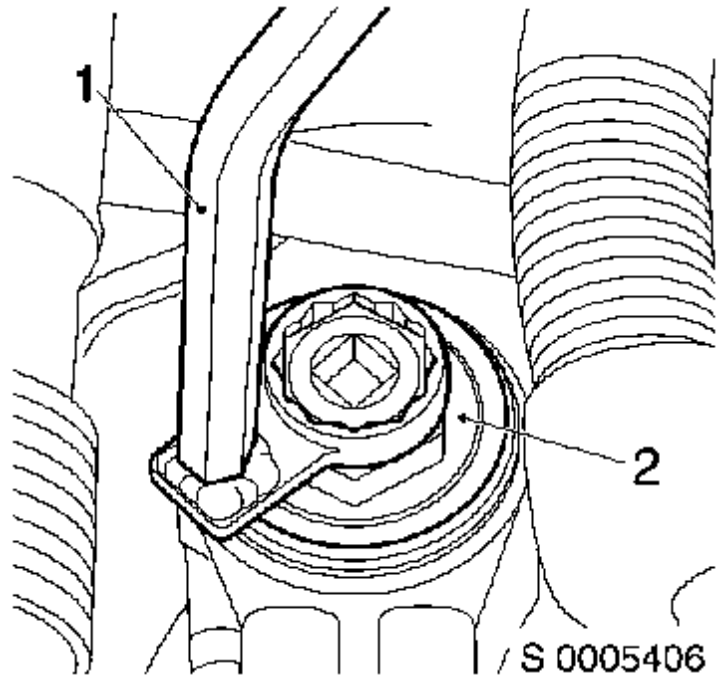
2. Remove oil feed hose from oil cooler adaptor
 - Release union nut (1)



Important: If securing ring for oil cooler adaptor, becomes loose while removing top cover, then counter-hold using Holding Wrench **KM-6416**.

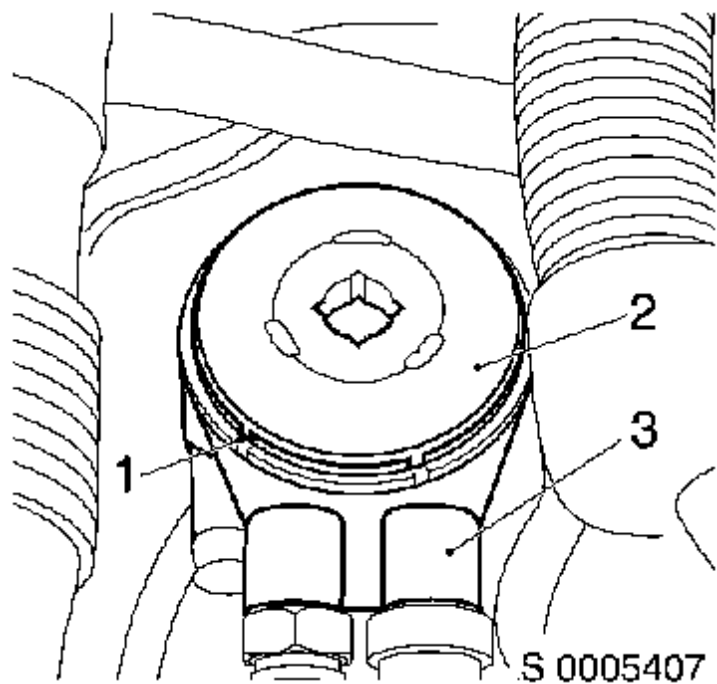
3. Remove top cover (2) from oil filter housing, using Oil filter Wrench **KM-6150** (1)
 - Remove, then discard O ring

- Remove oil filter element



4. Remove oil cooler adaptor (3) from oil filter housing

- Remove securing ring (1), using Remover/Installer **KM-6264**
- Remove, then discard 2x sealing ring



5. Remove adaptor for oil feed hose and oil pressure switch from oil cooler adaptor

- Remove, then discard 2x sealing washer
- Install collecting container under oil filter housing assembly



Install

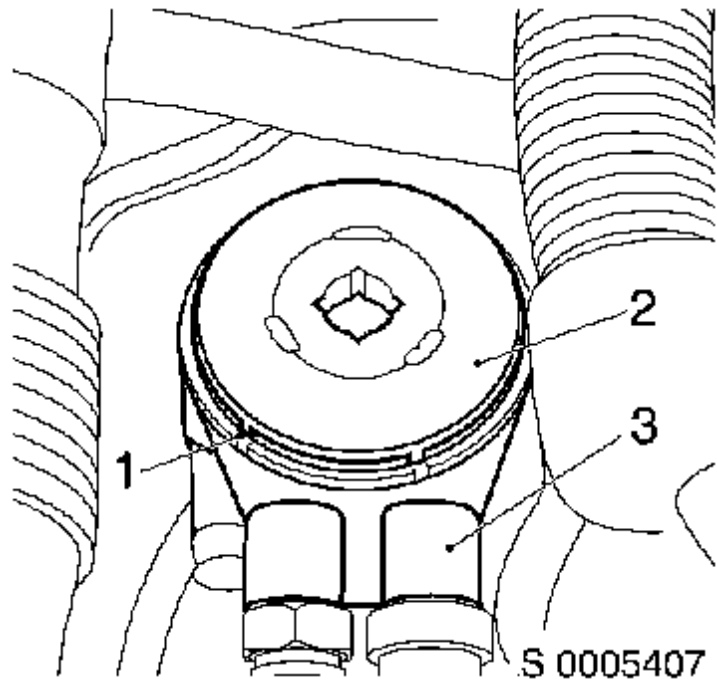
6. Install adaptor for oil feed hose and oil pressure switch to new oil cooler adaptor

- Secure adaptor for oil feed hose with new sealing washer **18 Nm**
- Secure oil pressure switch with new sealing washer **18 Nm**

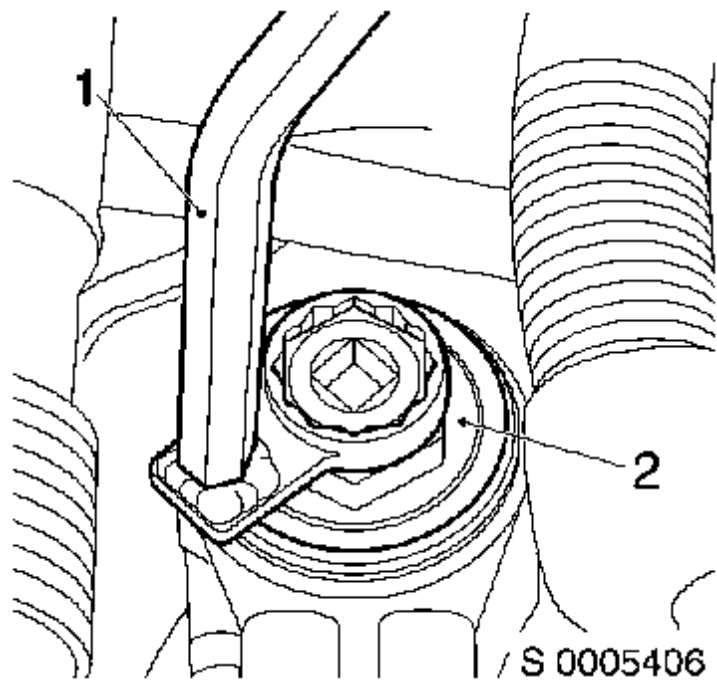
Important: Observe correct installation side of

new sealing rings, ridge sides uppermost.

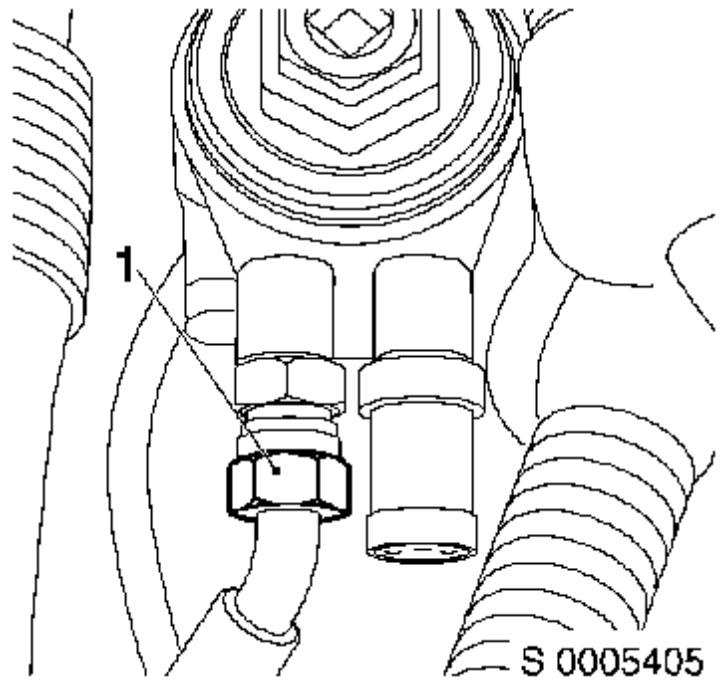
7. Install oil cooler adaptor (3) with 2x new sealing ring to oil filter housing
 - Install, then secure securing ring (1), using Remover/Installer **KM-6264 120 Nm**



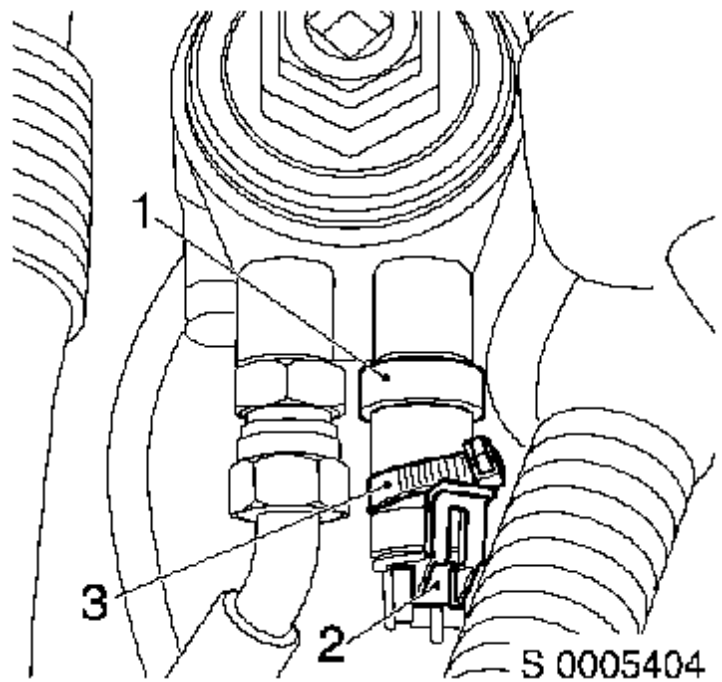
8. Install top cover (2) with new O ring to oil filter housing, using Oil filter Wrench **KM-6150 (1)**
 - Install oil filter element
 - Secure top cover **25 Nm**



9. Install oil feed hose to oil cooler adaptor
 - Counter-hold oil cooler adaptor while securing union nut (1)
 - Secure union nut (1) **45 Nm**



10. Connect harness connector (2) to oil pressure switch (1)
- Secure integral clip
 - Secure cable tie (3)



11. Check engine oil level, top up if required