

## Fuel Tank, Remove and Install



Install

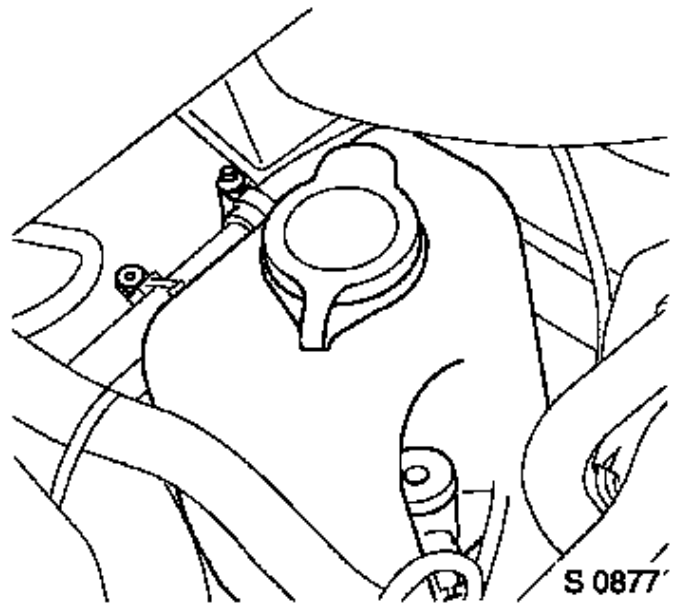
Chocks to front wheels.

Open front bonnet.

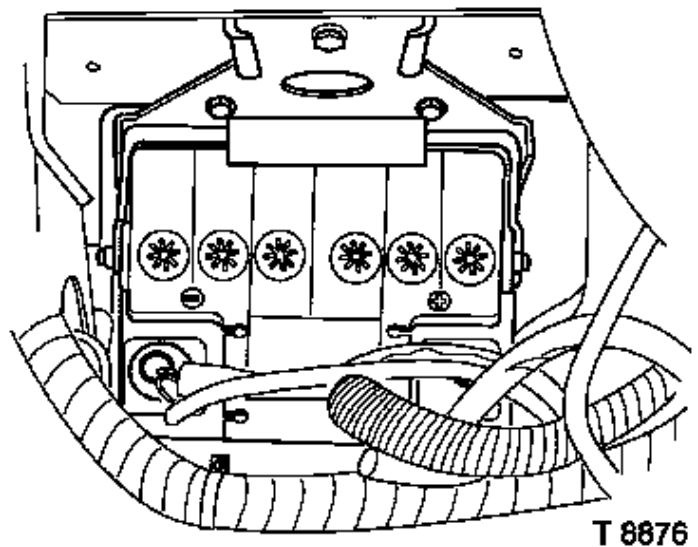


Remove

Screen wash reservoir and move to one side.



Negative lead from battery – nut.



Open engine cover.

Drain fuel tank.

**Caution !**

Observe safety regulations.

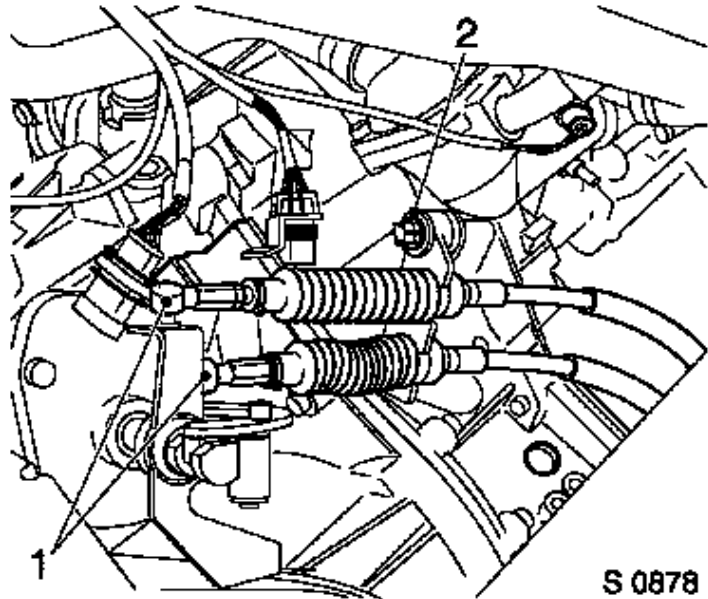


**Remove**

Gearshift cables (1) from transmission – use Remover **KM-6042**.

Gearshift cable support bracket – bolt (2).

Move gearshift cables to one side.

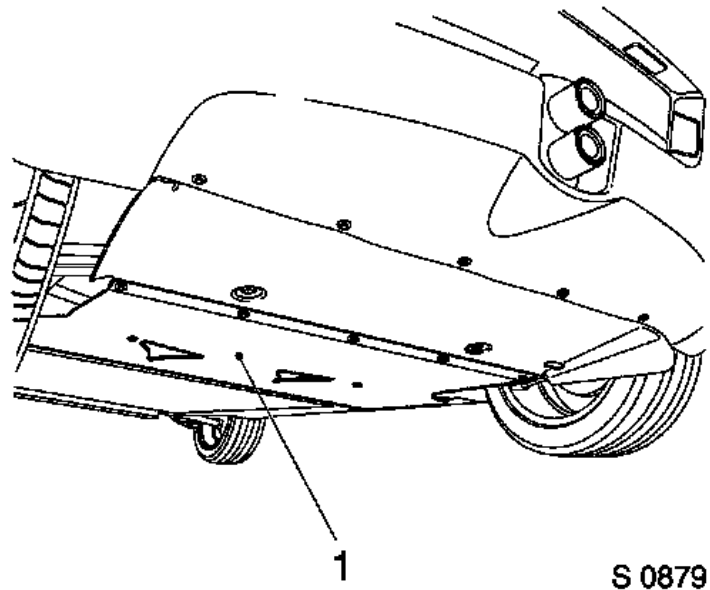


Raise vehicle.



**Remove**

Rear undertray (1) – 13 bolts.

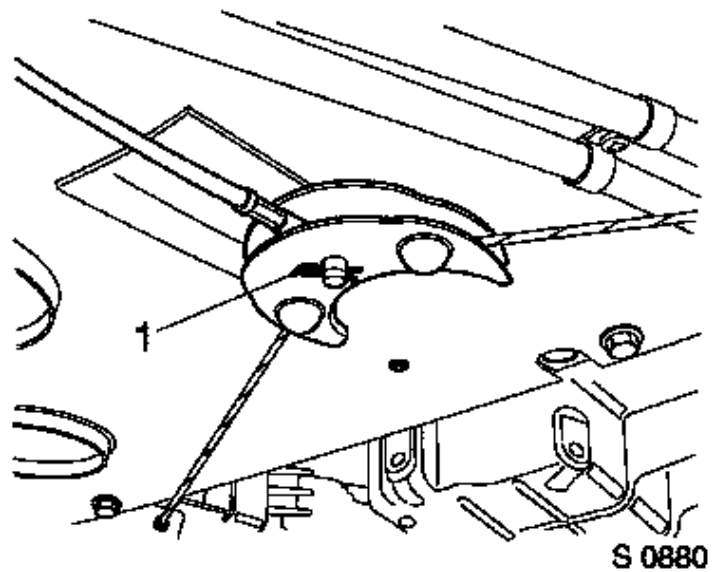


S 0879

Clip (1) and pin from parking brake compensator.

Parking brake cables from parking brake compensator.

Move parking brake cables to one side.

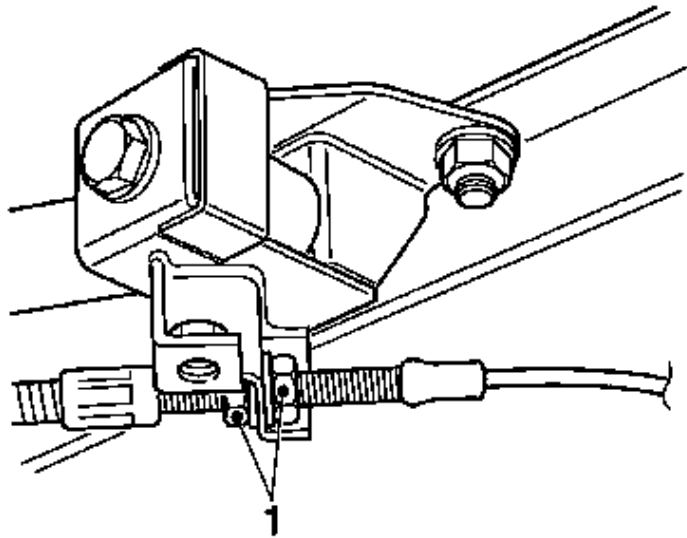


S 0880

Locknuts (1) on parking brake cables, left side, right side.

Parking brake cables from brackets.

Move parking brake cables to one side.

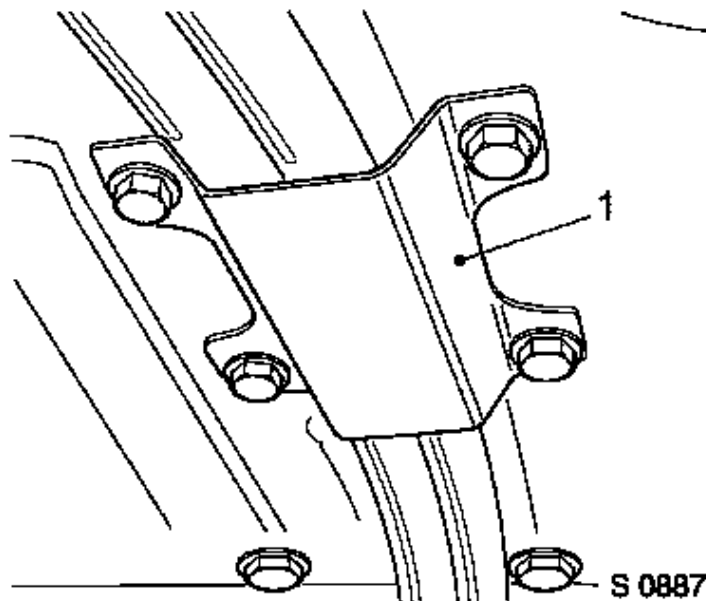


S 0888

Support bracket (1) for gearshift cables from fuel tank lower panel – 4 bolts.

Gearshift cables from hook on underside of transmission.

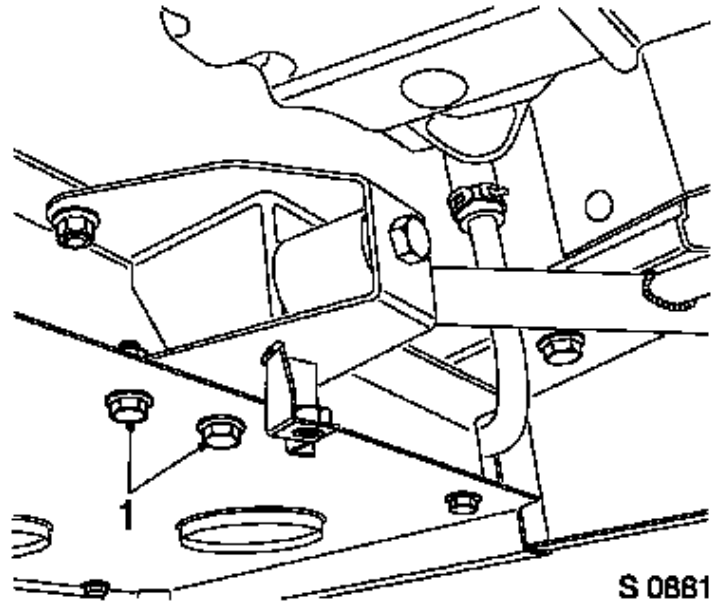
Move gearshift cables to one side.



S 0887

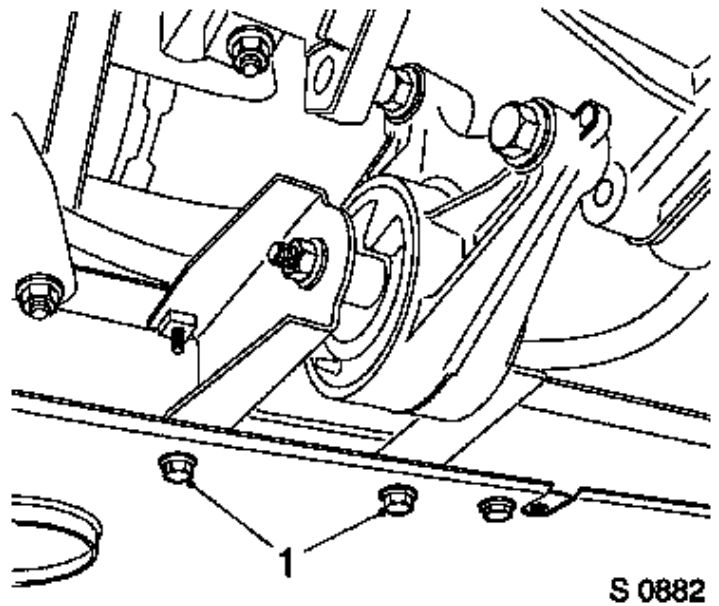
Lower fixing bolts (1) for lower wishbone, left side, right side.

**Important:** Ensure only lower fixing bolts are removed.

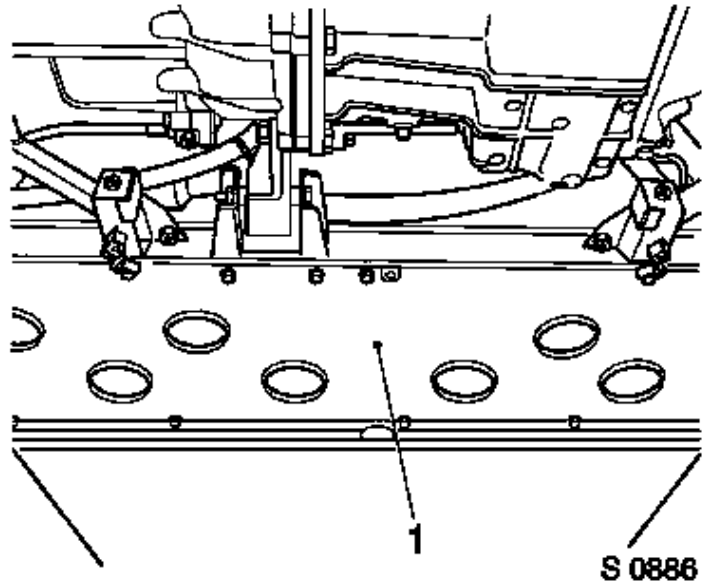


Lower fixing bolts (1) for front damping block.

**Important:** Ensure only lower fixing bolts are removed.

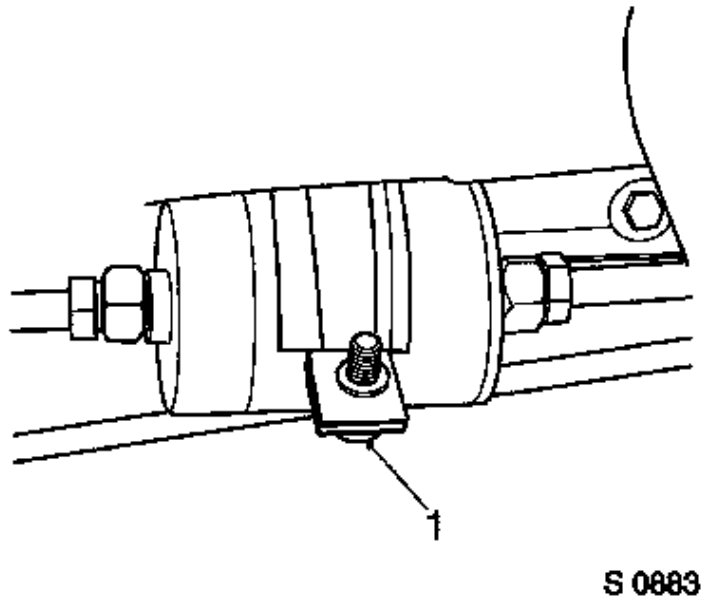


Fuel tank lower panel (1) – 5 bolts, 3 nuts and bolts.



Fuel lines from bulkhead – clips, bolts.

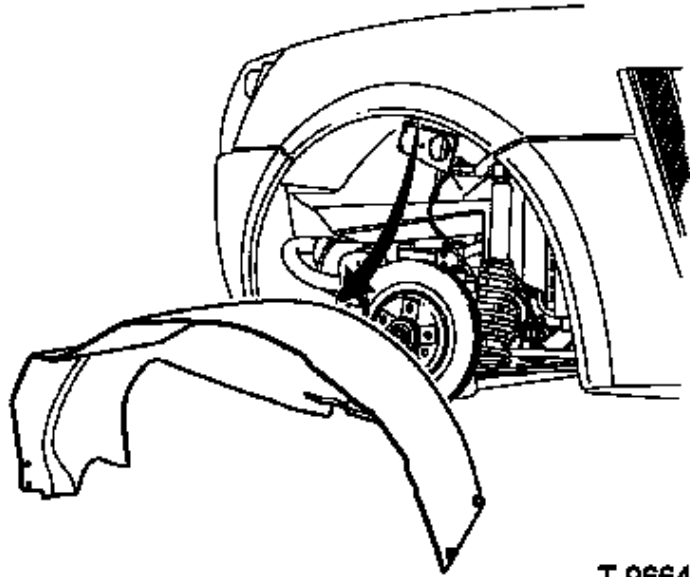
Fuel filter from bulkhead – bolt (1).



Lower vehicle halfway.

Right rear wheel.

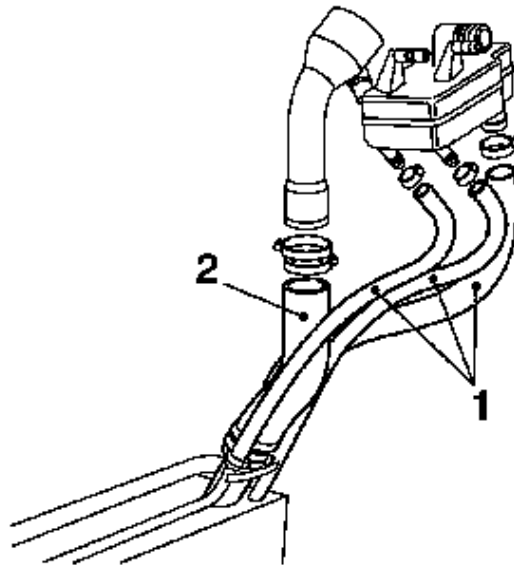
Right rear wheelarch liner – 6 clips.



T 9664

Hoses (1) from evaporator box assembly – clips.

Hose (2) from fuel filler pipe – clips.



S 0884

Raise rear of vehicle to provide increased access.

Fuel tank from vehicle – 4 bolts, washers.

**Important:** Support fuel tank to prevent damage to pipes and wiring harness.



**Remove**

Fuel pipes from fuel pump assembly – clips.

Harness connector from fuel pump assembly.

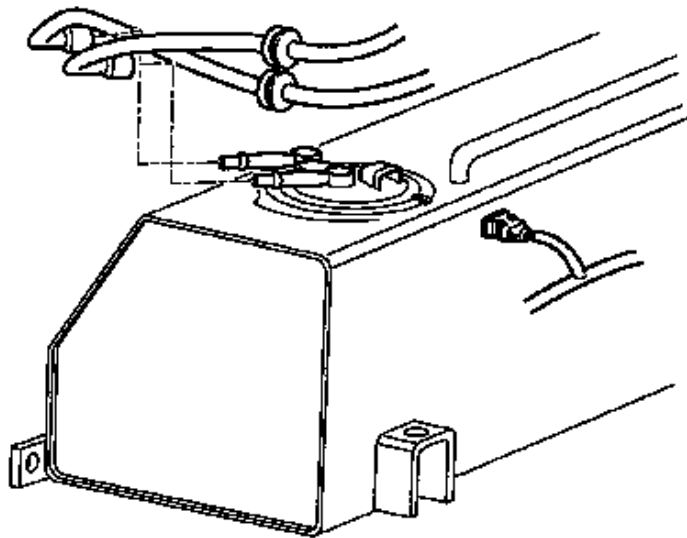
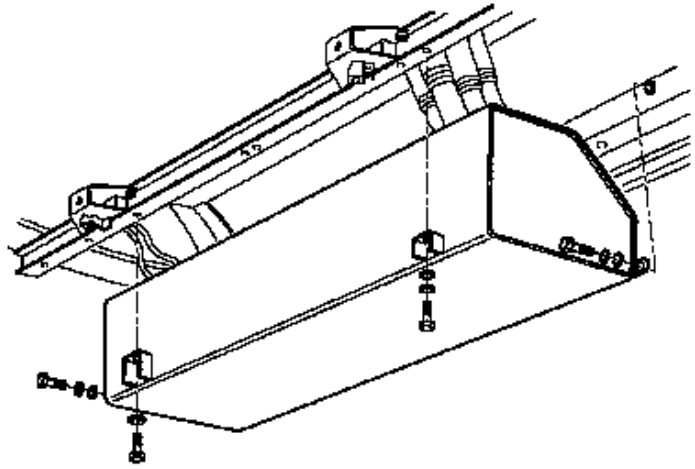


**Install**

Harness connector to fuel pump assembly.

Fuel pipes to fuel pump assembly – clips.

Fuel tank to vehicle – 4 bolts **25 Nm**, washers.



**S 1037**

**Caution !**

Use new bolts.

Ensure star washer is used on lower, left bolt.

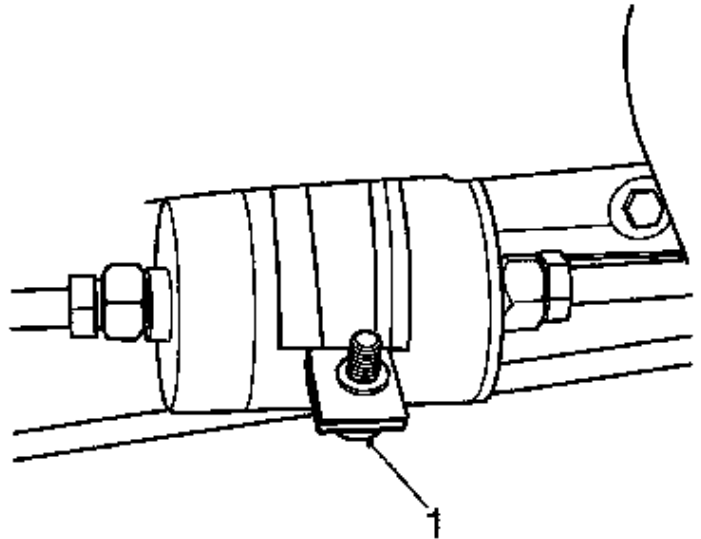


**Install**

Fuel lines to bulkhead – clips, bolts **9 Nm**.

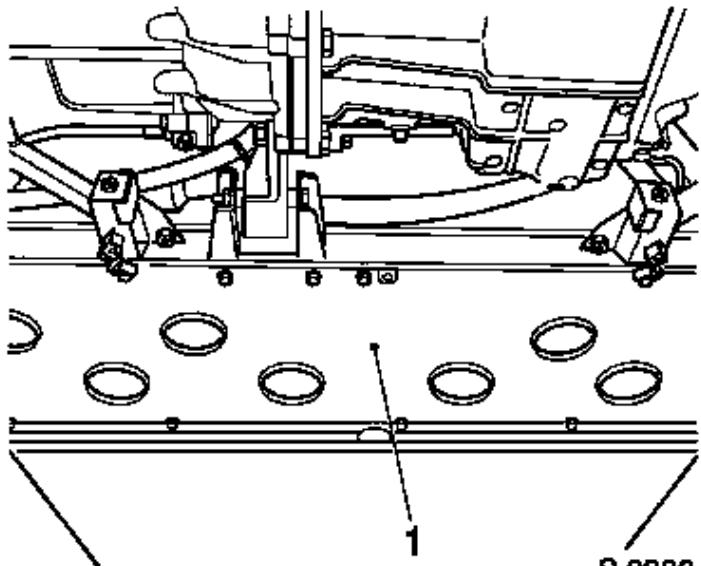
Fuel filter to bulkhead – bolt (1) **9 Nm**.





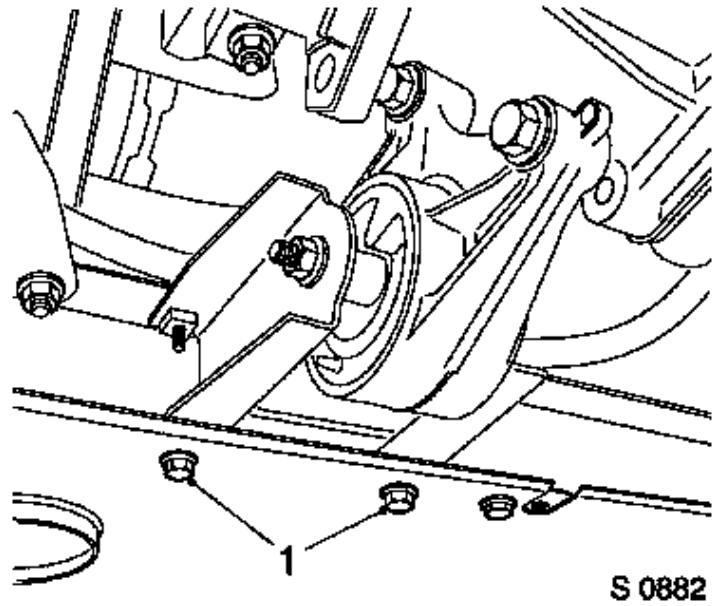
S 0883

Fuel tank lower panel (1) – 5 bolts, 3 nuts and bolts – **25 Nm.**

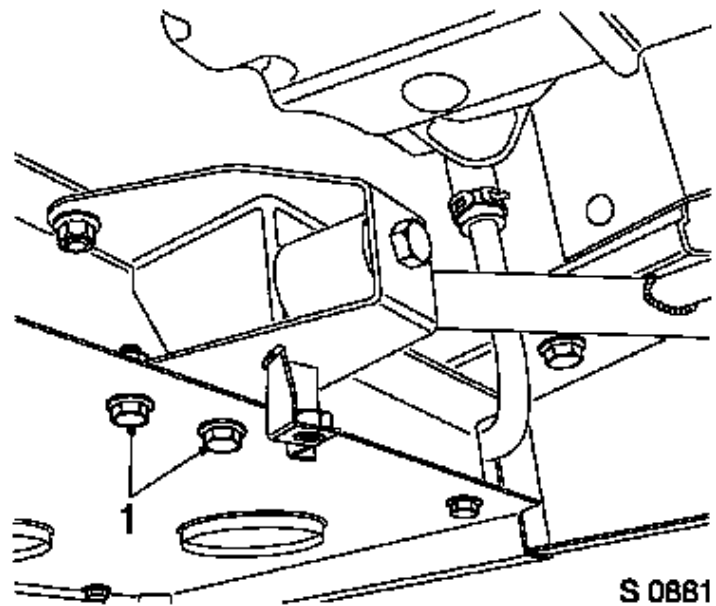


S 0886

Lower fixing bolts (1) for front damping block – **25 Nm.**

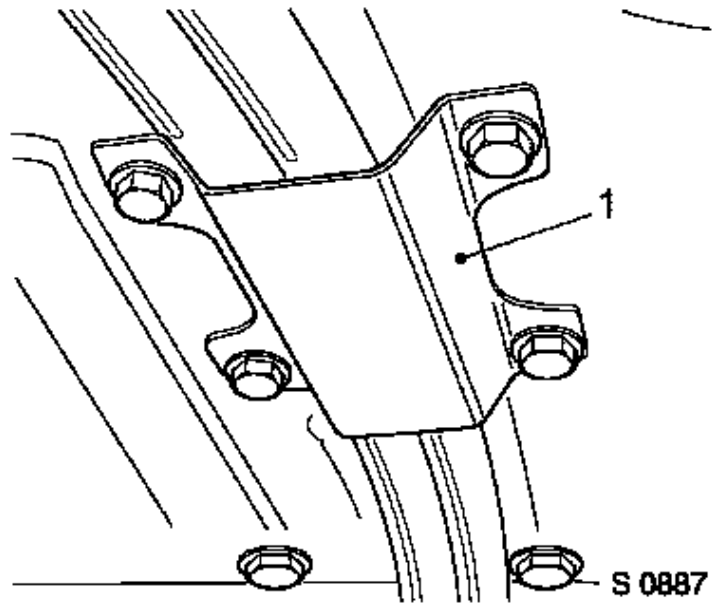


Lower fixing bolts (1) for lower wishbone, left side, right side – **45 Nm**.



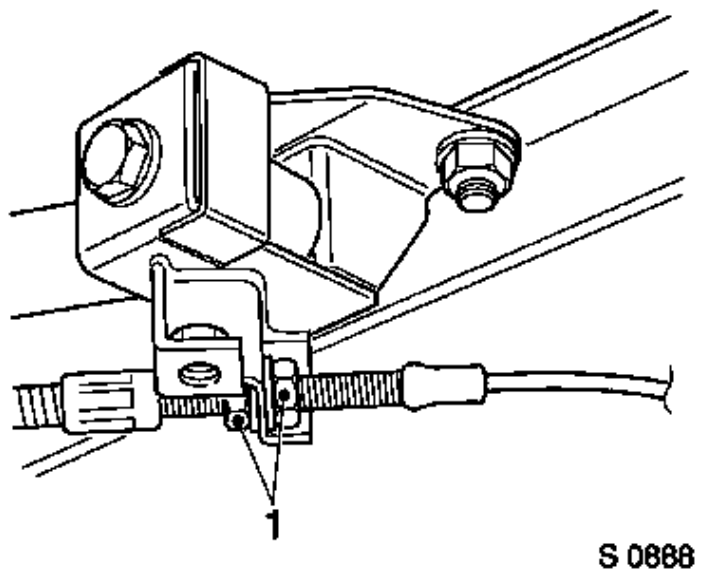
Gearshift cables to hook on underside of transmission.

Support bracket (1) for gearshift cables to fuel tank lower panel – 4 bolts.



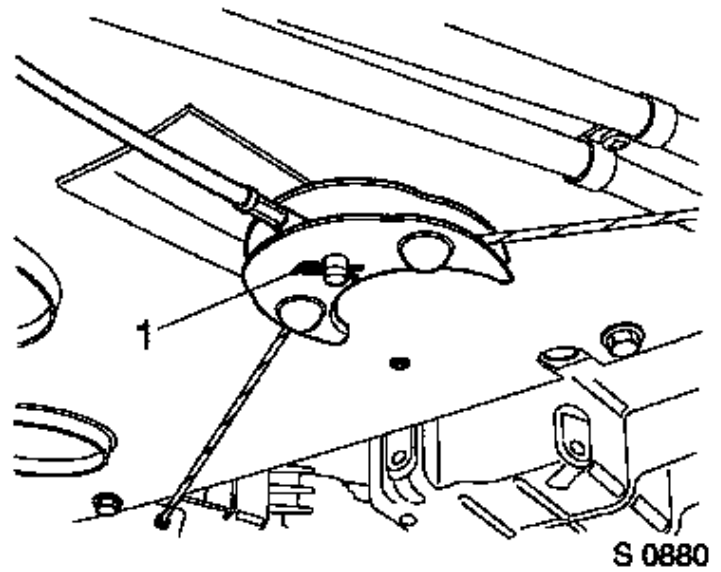
Parking brake cables to brackets.

Locknuts (1) on parking brake cables, left side, right side.



Parking brake cables to parking brake compensator.

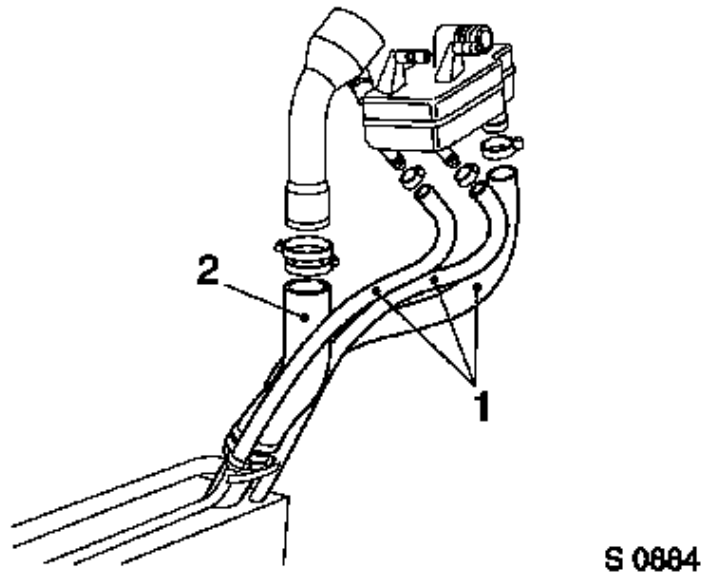
Pin and clip (1) to parking brake compensator.



Lower vehicle halfway.

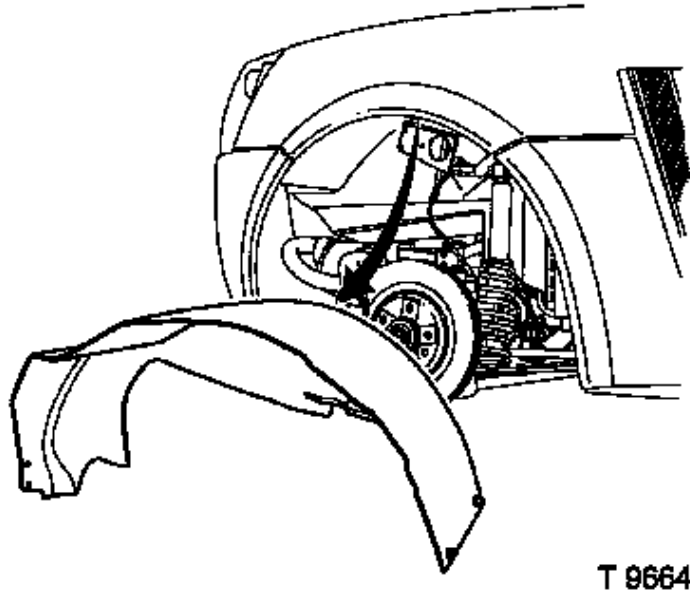
Hose (2) to fuel filler pipe – clips.

Hoses (1) to evaporator box assembly – clips.



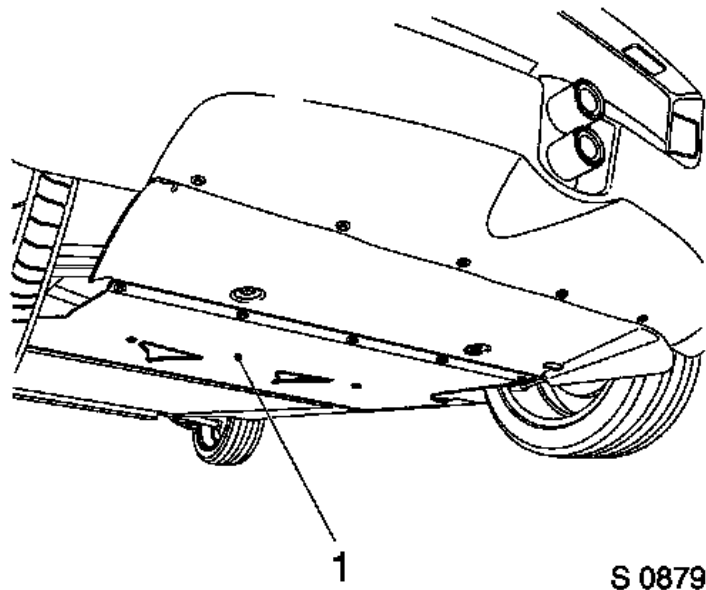
Right rear wheelarch liner – 6 clips.

Right rear wheel – bolts **90 Nm**.



Raise vehicle.

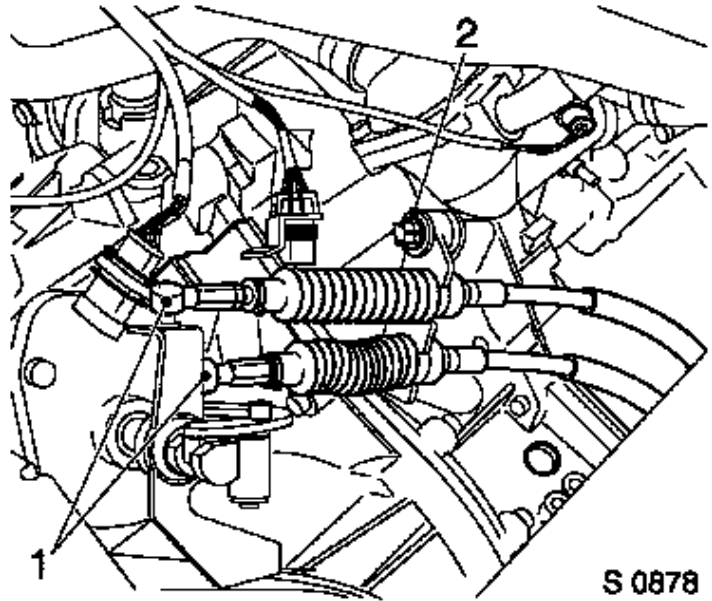
Rear undertray (1) – 13 bolts.



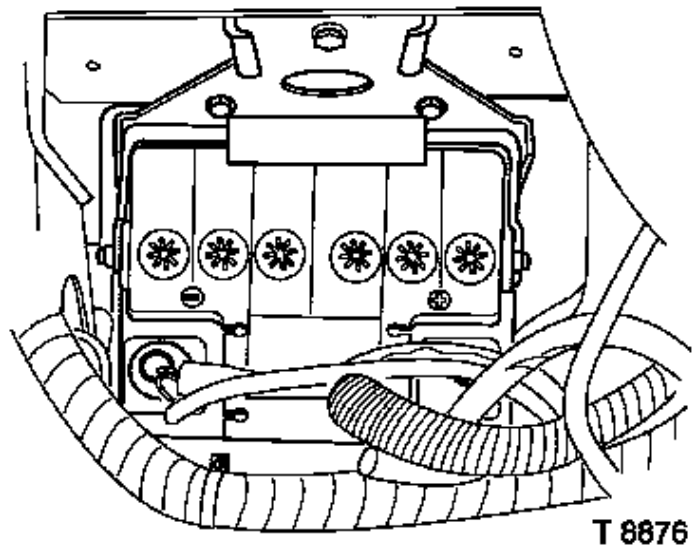
Lower vehicle.

Gearshift cable support bracket – bolt (2).

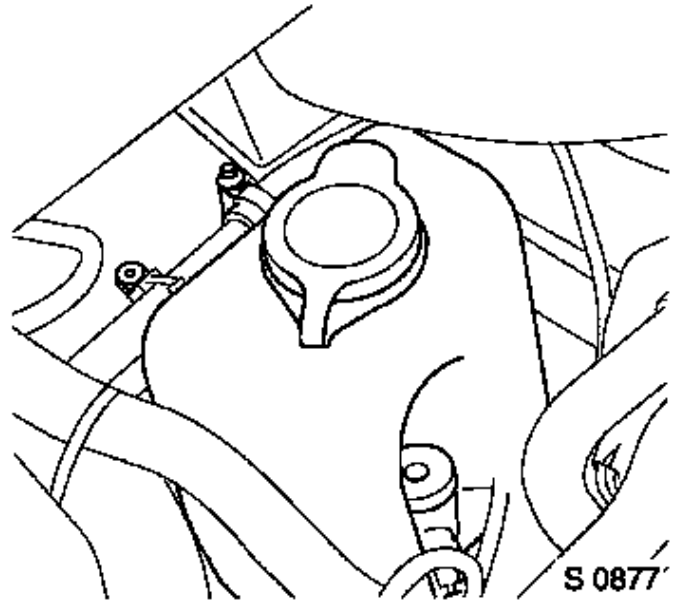
Gearshift cables (1) to transmission.



Negative lead to battery – nut.



Screen wash reservoir.

**Inspect**

Add fuel and check for leaks.

Reprogrammable all volatile memories.

Close front bonnet and engine cover.

**Remove**

Chocks from front wheels.