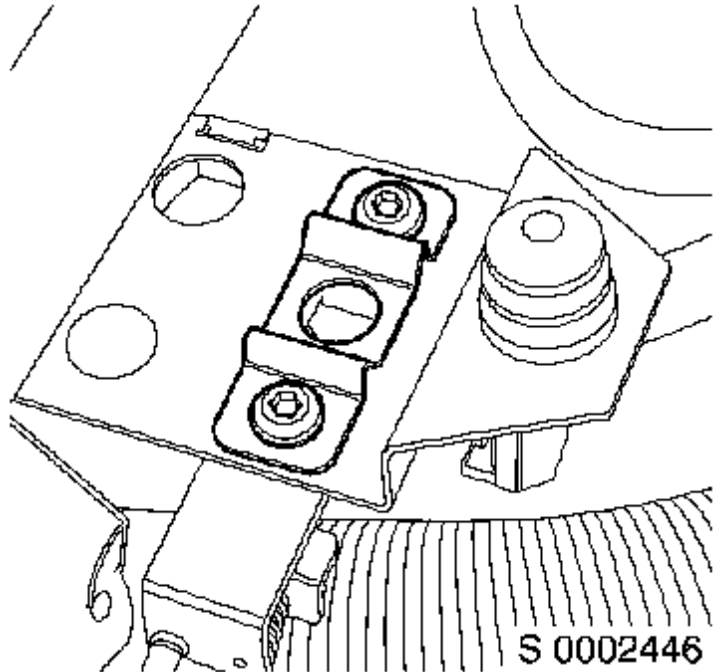


Release Cable, Front Bonnet, Replace

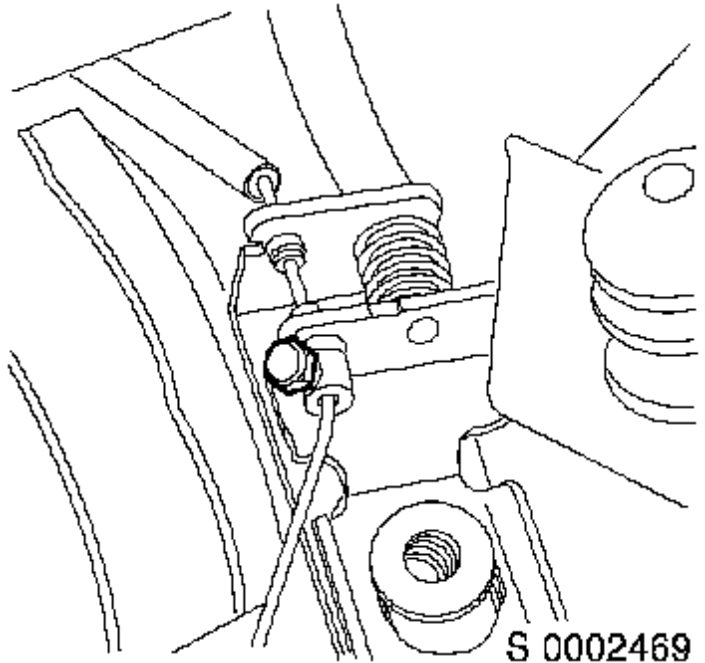


Remove

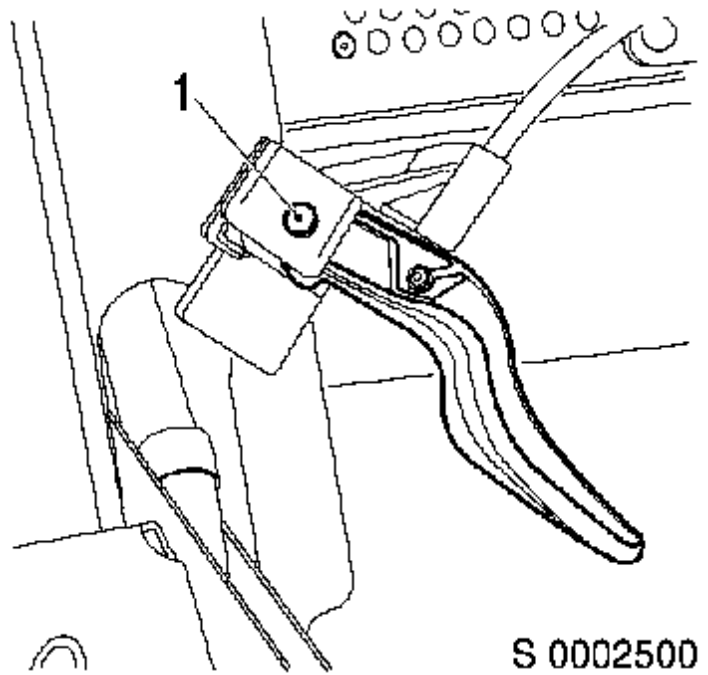
1. Open front bonnet
2. Detach front bonnet closing mechanism from bracket.
 - Remove 2 screws, 2 washers



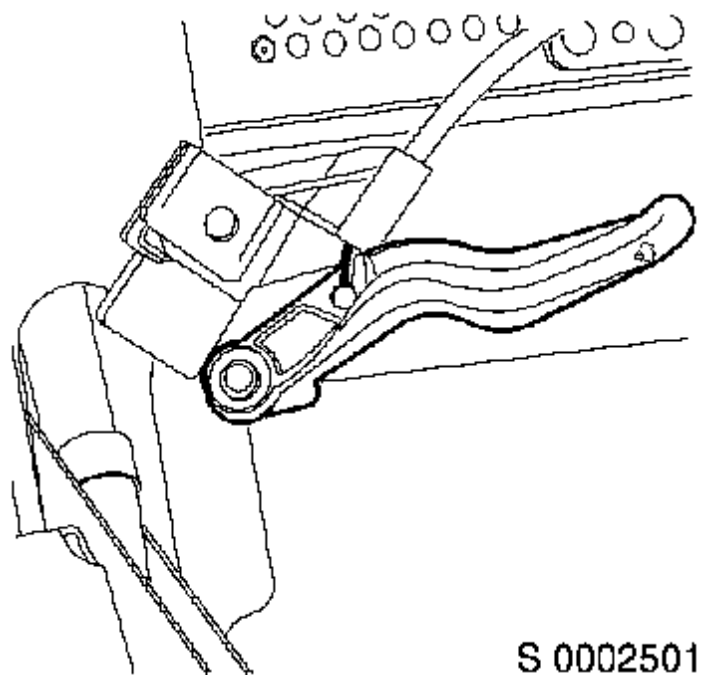
3. Remove front bonnet closing mechanism
 - Detach release cable from front bonnet closing mechanism
 - Remove screw



4. Detach front bonnet handle and bracket from instrument panel
 - Release clip.
5. Detach front bonnet handle from bracket
 - Release clip (1)



6. Detach front bonnet handle from release cable



7. Remove release cable



8. Install new release cable
9. Attach front bonnet handle to release cable
10. Attach front bonnet handle to bracket
- Fasten clip
11. Attach front bonnet handle and bracket to instrument panel
- Fasten clip

- 12.** Attach front bonnet closing mechanism to bracket
 - Attach release cable to front bonnet closing mechanism
 - Fasten 2 clips
- 13.** Attach front bonnet closing mechanism to bracket
 - Fit 2 washers, 2 screws
- 14.** Adjust front bonnet and close