

Shear Panel, Replace

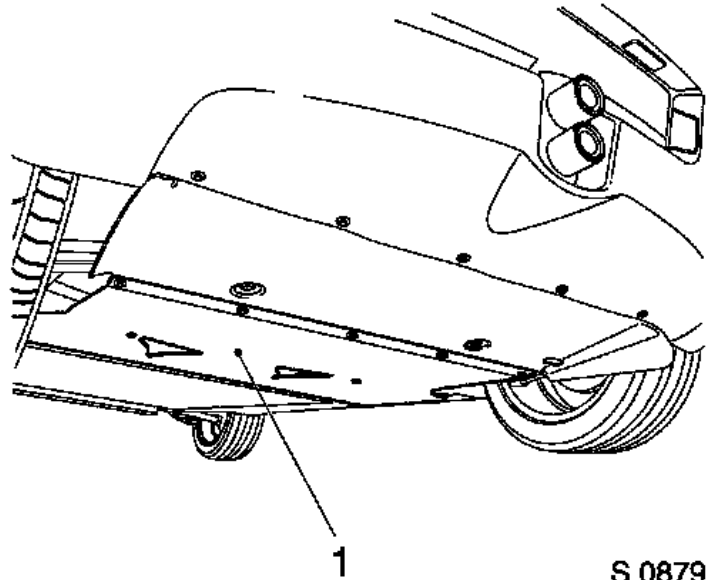


Remove

1. Release parking brake
2. Raise vehicle

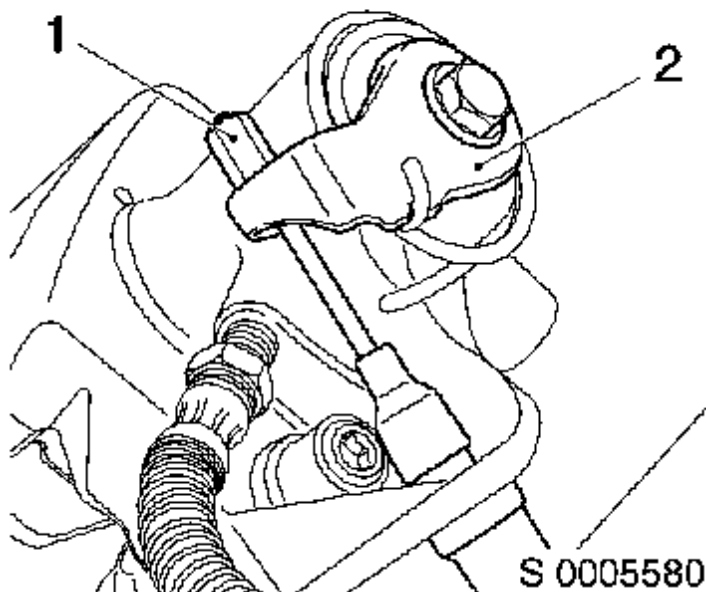
Important: A four-post hoist must be used to raise the vehicle when removing the engine undertray. The vehicle can be moved to a two-post hoist for other operations if required.

3. Remove engine undertray (1)
 - Remove 13x bolt, 13x washer



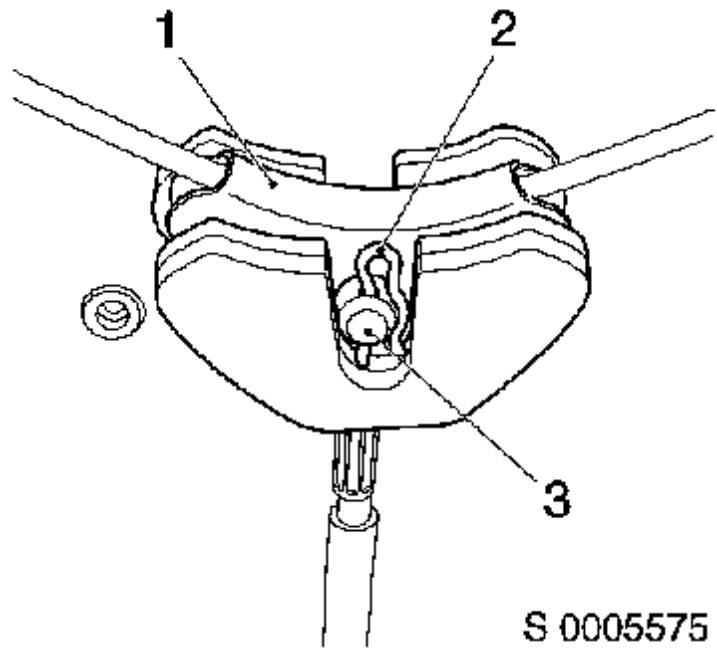
S 0879

4. Release cable (1) for parking brake from lever (2) of rear left brake caliper
 - Pull off

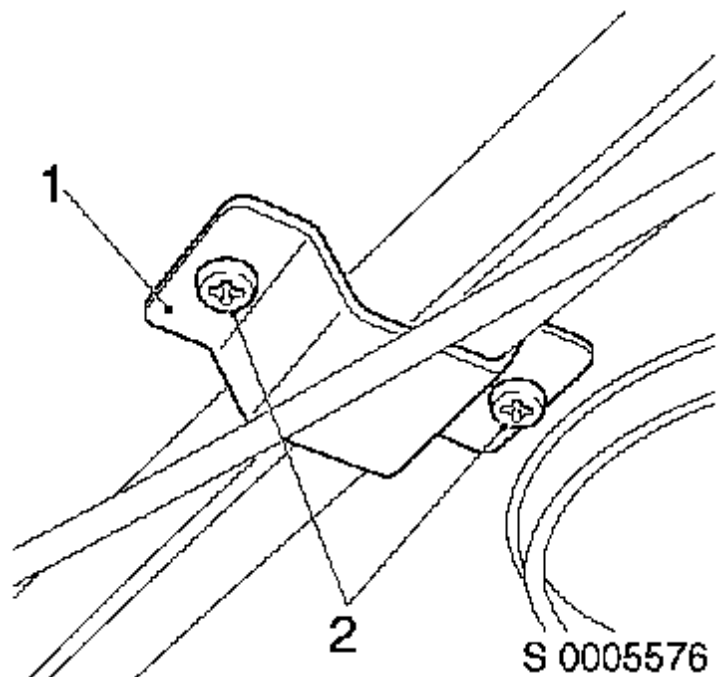


S 0005580

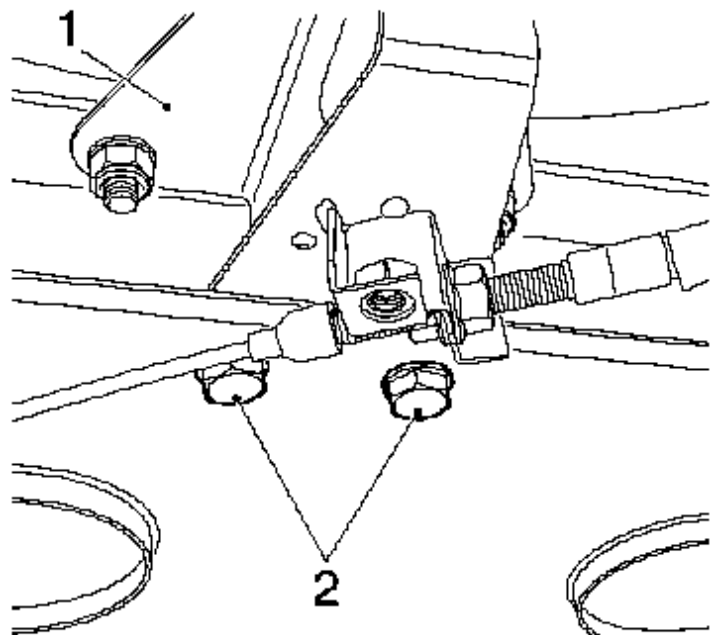
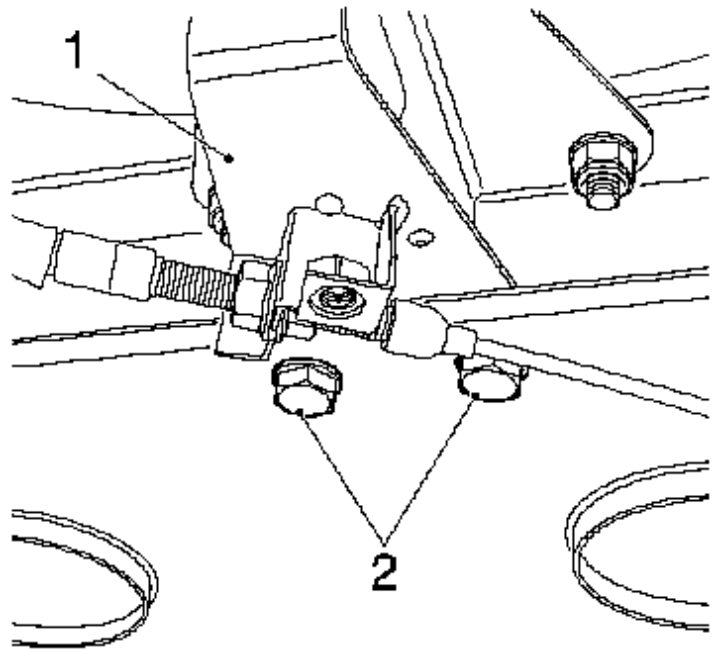
5. Release compensator yoke (1) from parking brake cable
 - Remove clip (2)
 - Remove pin (3)



6. Release 2x gearshift cable from shear panel
- Remove bracket (1)
 - Remove 2x screw (2)

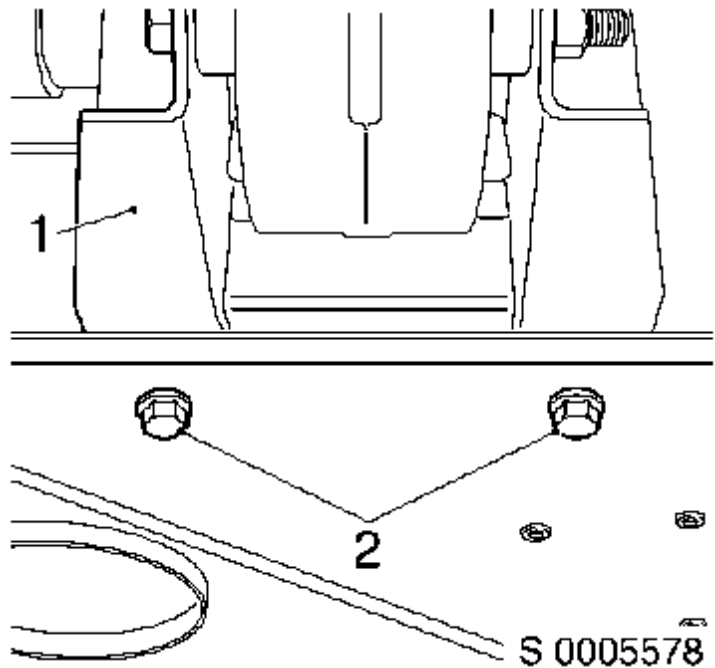


7. Release shear panel from left side and right side suspension mount (1)
- Remove 4x bolt (2), 4x nut, 8x washer



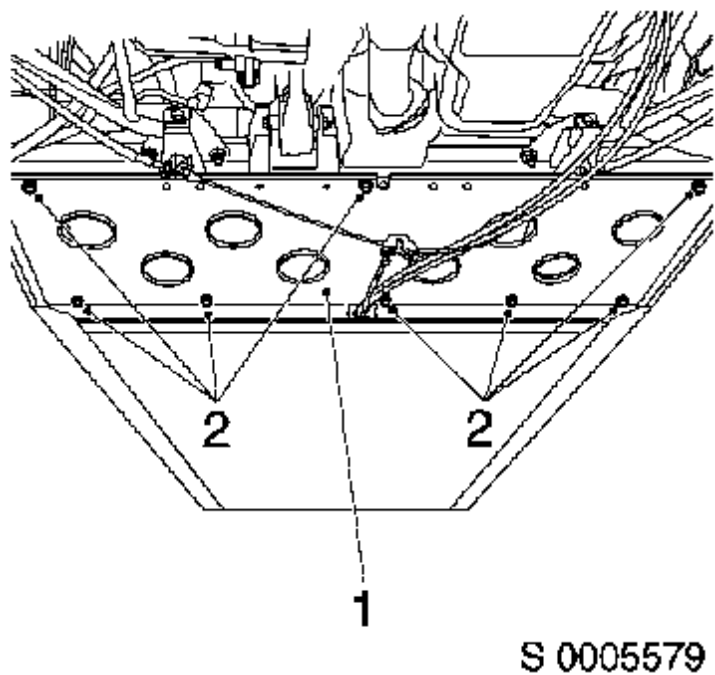
S 0005577

8. Release shear panel from support bracket
(1) for damping block
 - Remove 2x bolt (2)



Important: Vehicle must not be driven without shear panel installed

9. Remove shear panel (1) from vehicle
 - Remove 8x bolt (2), 3x nut, 11x washer



Install

Important: Vehicle must not be driven without shear panel installed

10. Install shear panel to vehicle
 - Install, then secure 8x bolt, 3x nut, 11x washer **25 Nm**
11. Secure shear panel to support bracket for damping block
 - Install, then secure 2x bolt **25 Nm**
12. Secure shear panel to left side and right side suspension mount
 - Install, then secure 4x bolt, 4x nut, 8x washer **45 Nm**
13. Secure 2x gearshift cable to shear panel

- Install bracket
 - Install 2x screw
14. Secure compensator yoke to parking brake cable
 - Install pin
 - Install clip
 15. Secure cable for parking brake to lever of rear left brake caliper
 - Push on
 16. Install engine undertray
 - Install, then secure 13x bolt, 13x washer
 17. Lower vehicle
 18. Secure parking brake