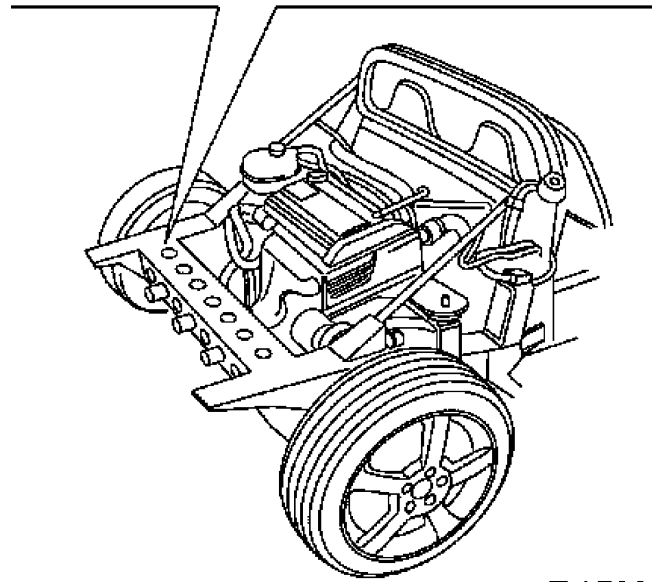
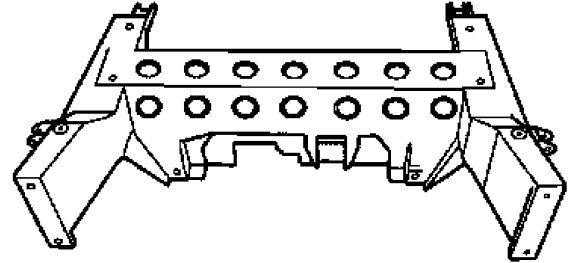


Paint

Sheet Metal Corrosion Protection and Paint

The rear sub-frame is galvanised.



T 8720