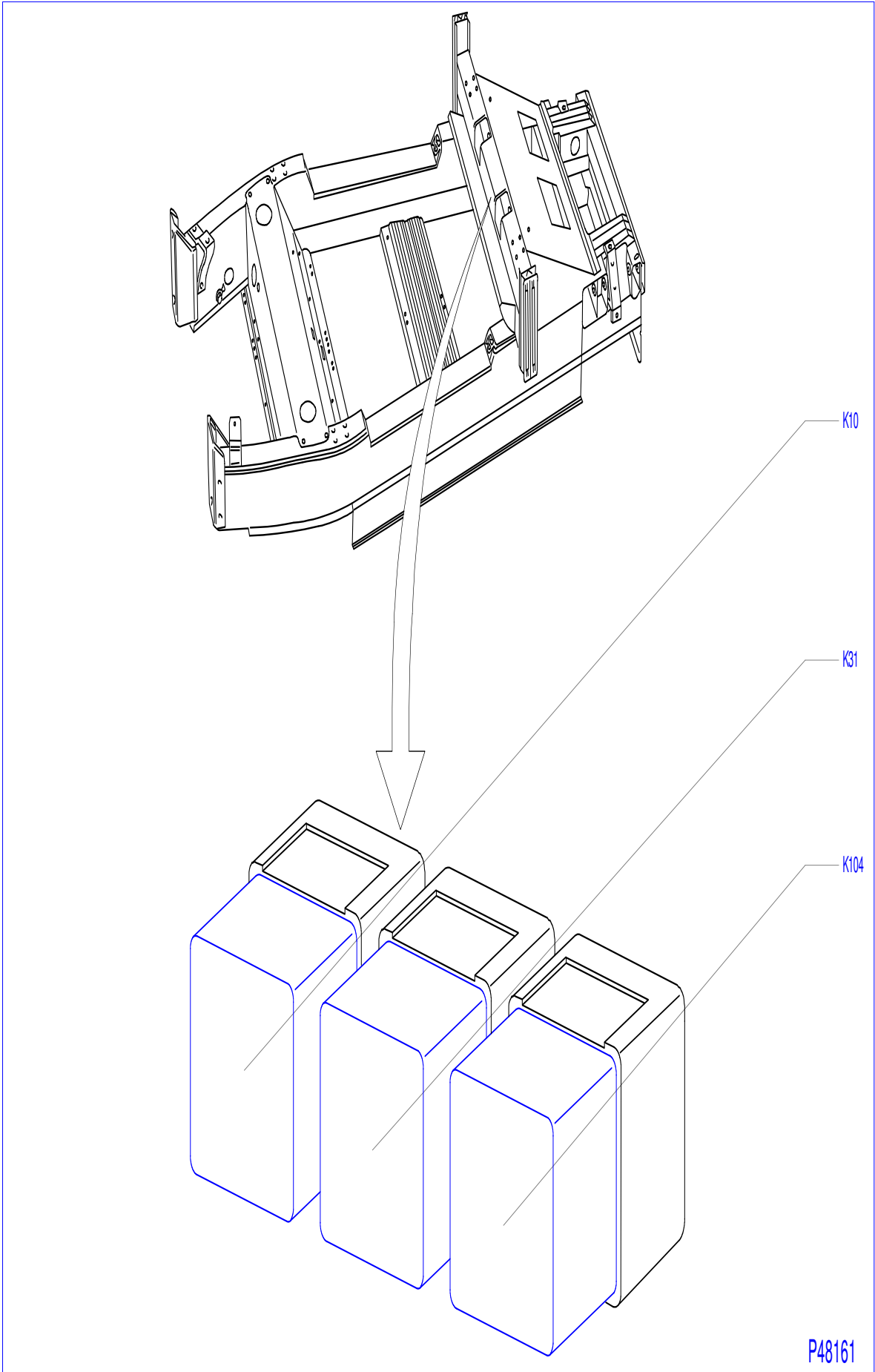




### Relays and Fuses Speedster/VX220, model year 2003



P48161

**Components**

K10	Relay - Wiper, windscreen (Stage 1/Interval)	K104	Relay - Back-up power, central door locking
K31	Flasher unit		